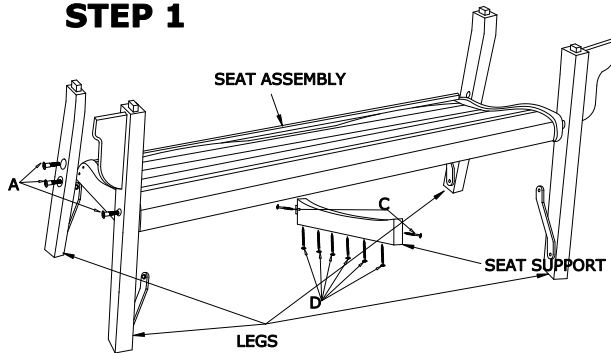


DOUBLE COASTAL GLIDER

AD-0114

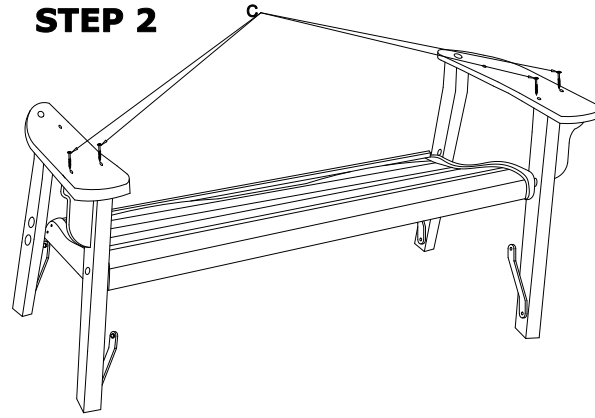
BREEZESTA™
Recycled Poly Furniture

STEP 1



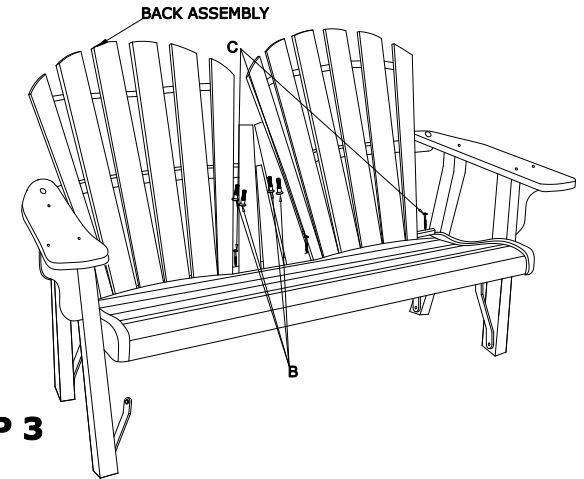
Attach Seat Support to Seat Assembly from the bottom using screws (D), and from the front and back using screws (C), as shown. Attach Side Assemblies to Seat Assembly using bolts (A) as shown. Only hand tighten the bolts.

STEP 2

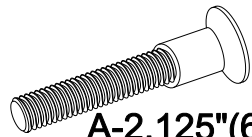


Attach Arms to Front Legs using screws (C) as shown.

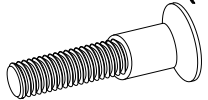
STEP 3



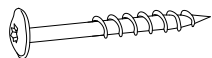
From behind, attach Center Back Assembly to the other Back Assembly using chair bolts (B), then attach Back Assembly to Seat Assembly using screws (C) as shown.



A-2.125"(6pcs.)painted



B-1.5"(6pcs.)painted



C-1.5"(14pcs.)painted

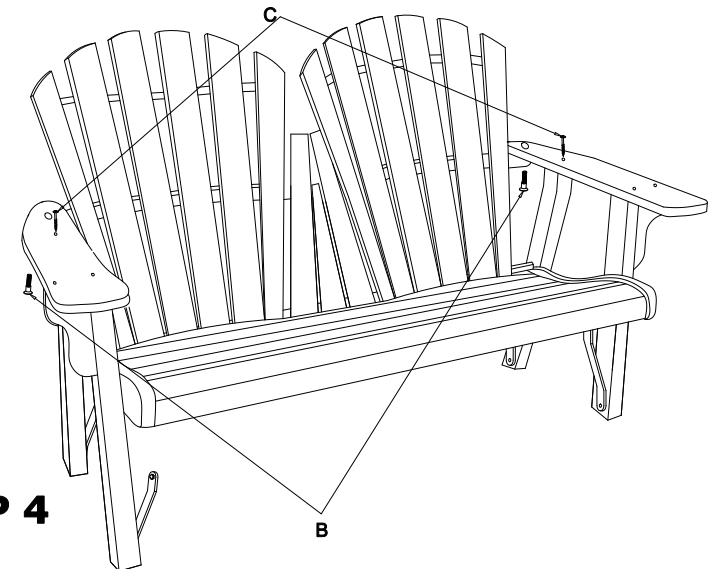


D-2"(6pcs)unpainted

LIST OF PARTS

Back Assembly (1)
Seat Assembly (1)
Leg Assemblies (4)
Arms (1R) (1L)
Chair Bolts "A" (6)
Chair Bolts "B" (6)
Colored Screws "C" (14)
Uncolored Screws "D" (6)
Insert Bit Tool (1)

STEP 4



Attach Arms to Back Legs from the top using screws (C). Bolt Arm Assemblies to Back Assembly using Bolts (B) as shown. Then, tighten the leg bolts.