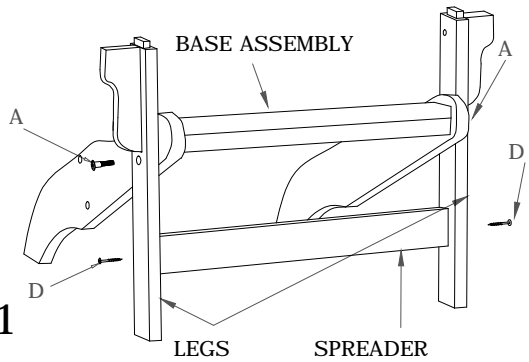


LEFT WINDSAIL ADIRONDACK CHAIR

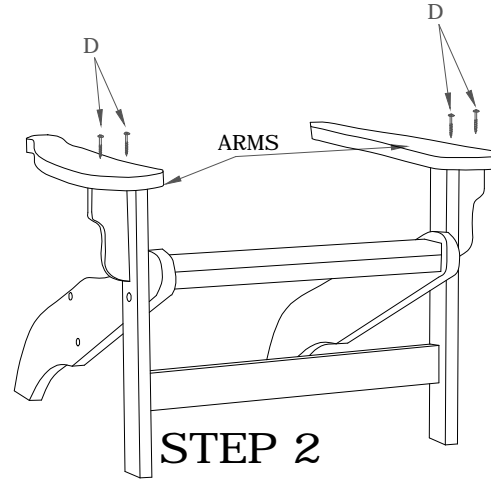
AD-0103

BREEZESTA tm
Recycled Poly Furniture

STEP 1



Attach Spreader to legs with screws (D) as shown. Bolt legs to base assembly using bolts (A).

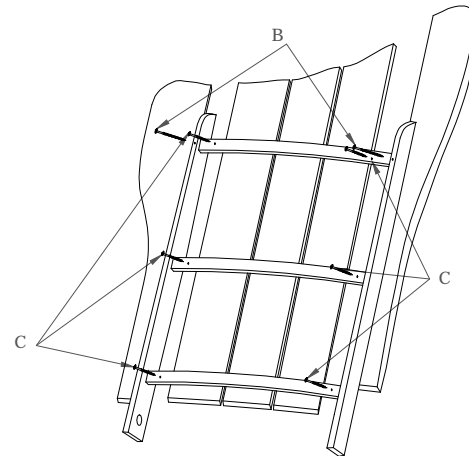
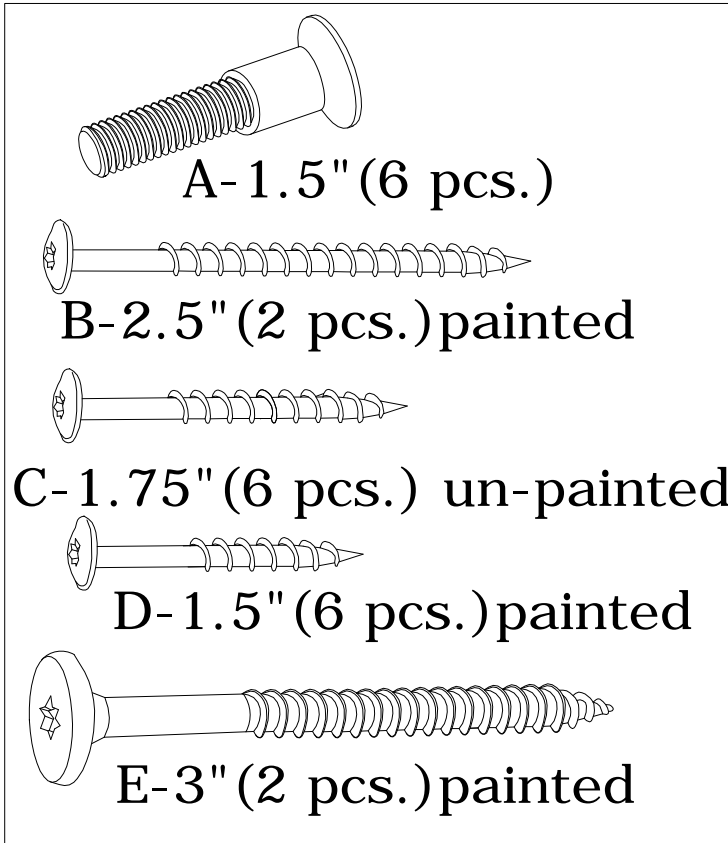
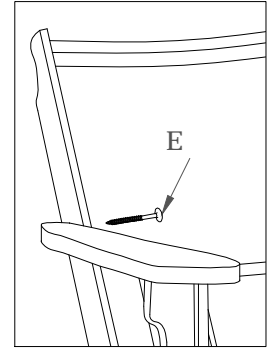


STEP 2

Fit arms on top of legs and attached with screws (D) through top as shown.

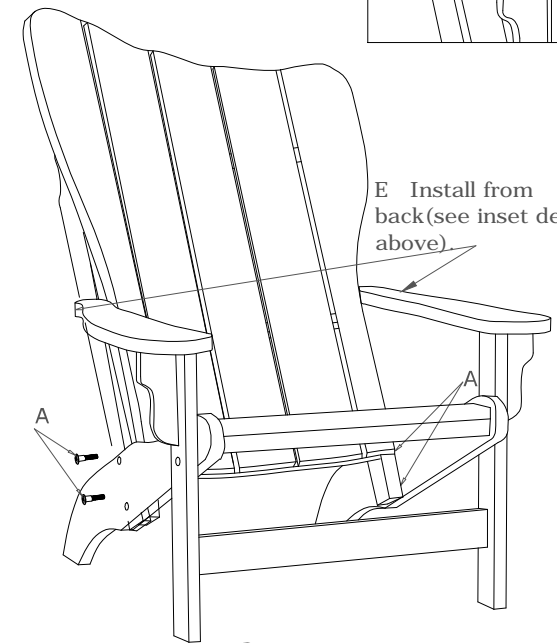
LIST OF PARTS

- Back Assembly (1)
- Back Slats (1R) (1L)
- Base Assembly (1)
- Legs (2)
- Spreader (1)
- Arms (1R) (1L)
- Chair Bolts "A" (6)
- Colored Screws "B" (2)
- Un-Colored Screws "C" (6)
- Colored Screw "D" (6)
- Colored Screws "E" (2)
- Insert Bit Tool (1)



STEP 3

Attach right and Left Back Slats to Back Assembly using screws (B) and (C) as shown.



STEP 4

Bolt back assembly to base assembly using 2 bolts (A) on each side as shown. Attach arm to seat back using Large Head Screws (E).

E Install from back (see inset detail above)