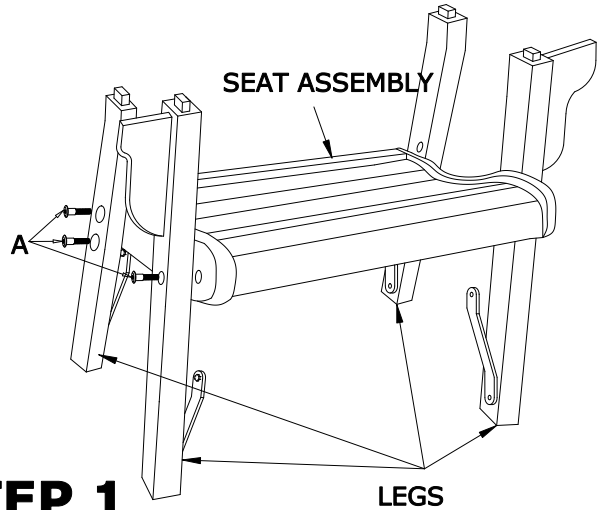


SINGLE COASTAL GLIDER

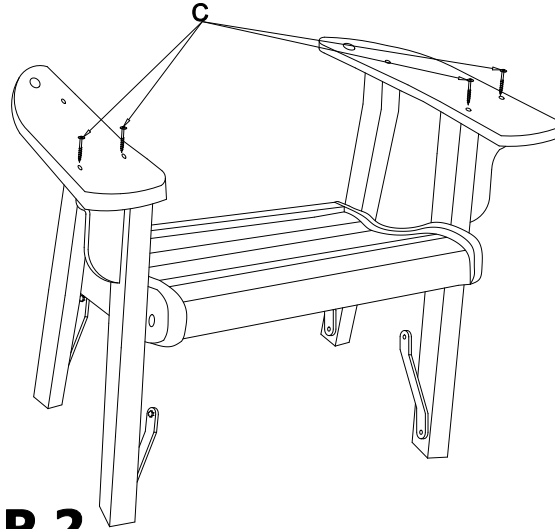
AD-0113

BREEZESTA™
Recycled Poly Furniture



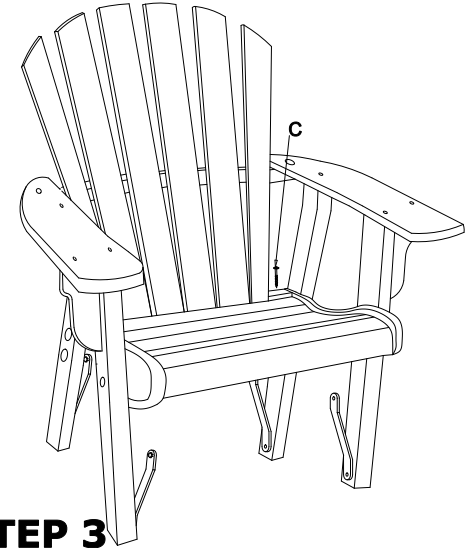
STEP 1

Attach Side Assemblies to Seat Assembly using bolts (A) as shown. Only hand tighten the bolts.



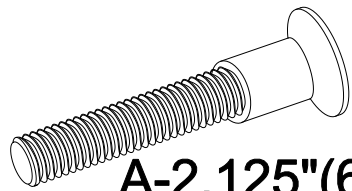
STEP 2

Attach Arms to Front Legs using screws (C) as shown.

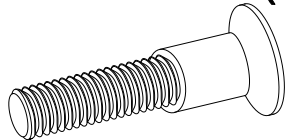


STEP 3

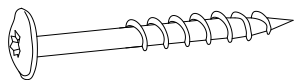
Attach Back Assembly to Seat Assembly using screws (C) as shown.



A-2.125"(6pcs.)painted



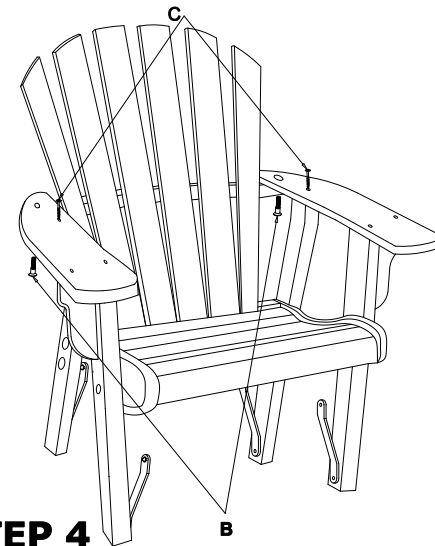
B-1.5"(2pcs.)painted



C-1.5"(8pcs.)painted

LIST OF PARTS

- Back Assembly (1)
- Base Assembly (1)
- Leg Assemblies (4)
- Arms (1R) (1L)
- Chair Bolts "A" (6)
- Chair Bolts "B" (2)
- Colored Screws "C" (8)
- Insert Bit Tool (1)



STEP 4

Attach Arms to Back Legs from the top using screws (C). Bolt Arm Assemblies to Back Assembly using Bolts (B) as shown. Then, tighten the leg bolts.