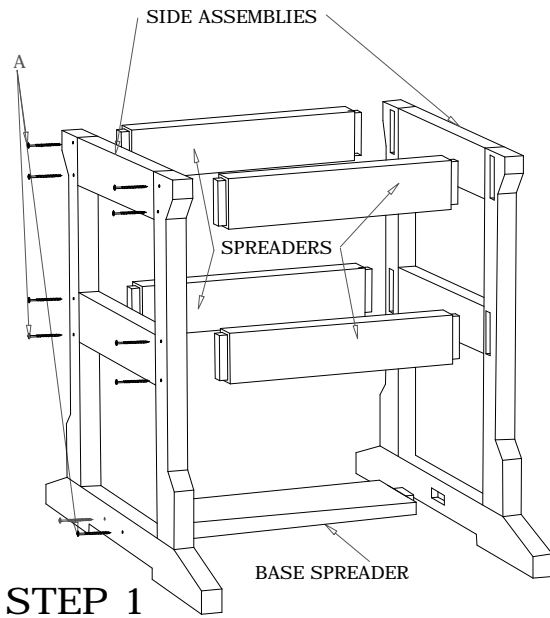


58"X58" DINING TABLE

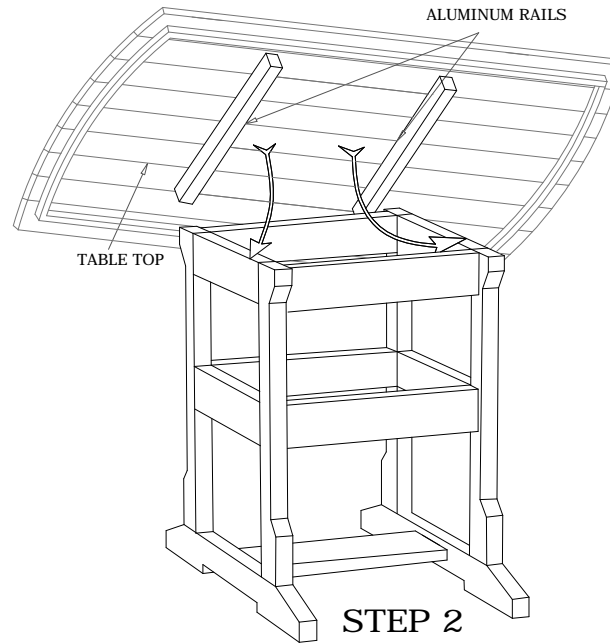
DH-0709

BREEZESTA™
Recycled Poly Furniture



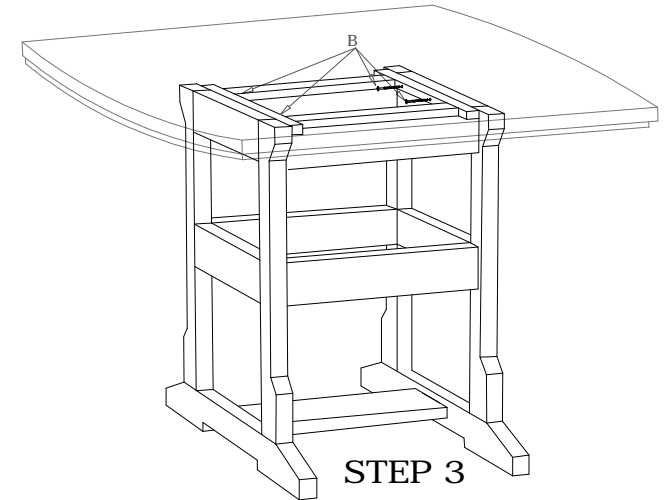
STEP 1

Attach Side Assemblies to Spreaders by placing the tenon into the mortise (pocket) and attaching with screws (A) as shown.



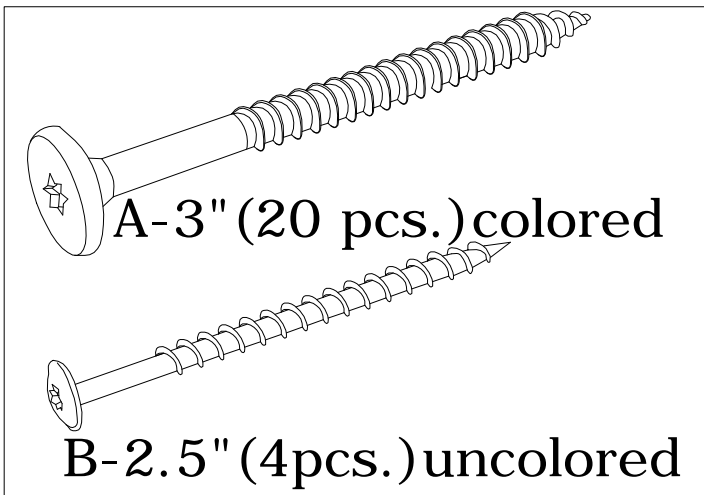
STEP 2

Place the table top on the base so that the Aluminum Rails on the table top fit within the base as shown above



STEP 3

Attach Table Top to base using uncolored screws (B). From the underside screw through pre-drilled holes in the aluminum frame into base assembly.



- LIST OF PARTS**
- Side Assemblies (2)
 - Spreaders (4)
 - Base Spreader (1)
 - Table Top (1)
 - Colored Screws "A" (20)
 - Un-Colored Screws "B" (4)
 - Insert Bit Tool (1)

