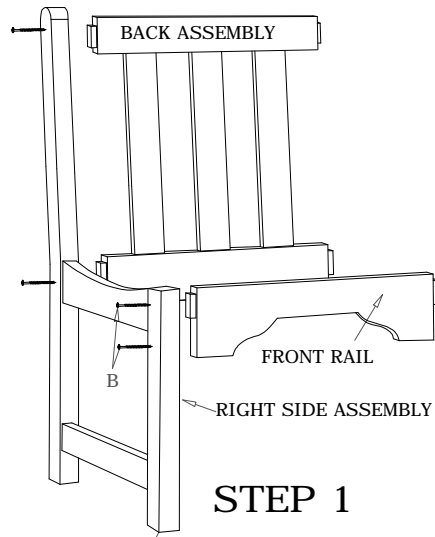


HORIZON PATIO CHAIR

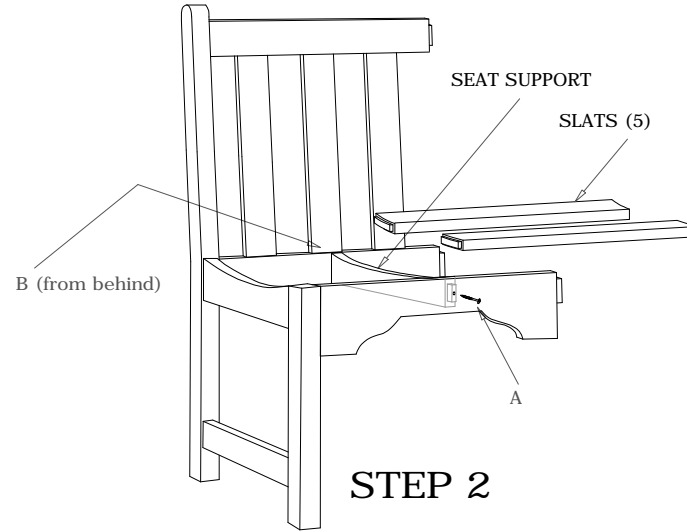
HZ-0307

BREEZESTA™
Recycled Poly Furniture



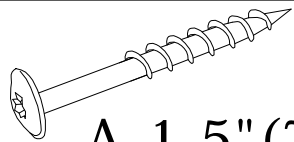
STEP 1

Attach Back Assemblies and Front Rail to Right Side Assembly using screws (B) as shown.

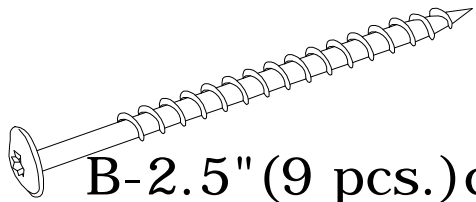


STEP 2

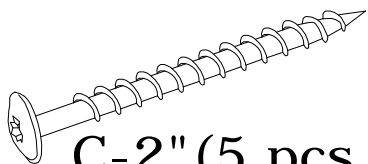
Attach Seat Supports using a screw (A) in the front and screw (B) in the back. Install Slats into slots provided on Right Side Assembly.



A-1.5" (7 pcs.) colored



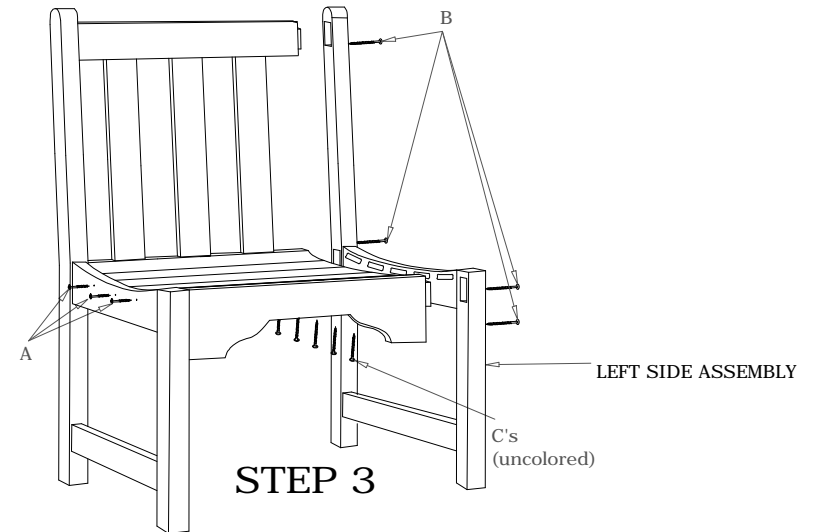
B-2.5" (9 pcs.) colored



C-2" (5 pcs.) uncolored

LIST OF PARTS

- Back Assembly (1)
- Left End Assembly (1)
- Right End Assembly (1)
- Front Rail (1)
- Under Seat Supports (1)
- Seat Slats (5)
- Colored Screws "A" (7)
- Colored Screws "B" (9)
- Un-Colored Screws "C" (5)
- Insert Bit Tool (1)



STEP 3

Fit seat slats into chair as shown. From the bottom side use uncolored screws (C) to secure slats. Use screws (A) to attach Side Assemblies to Slats.