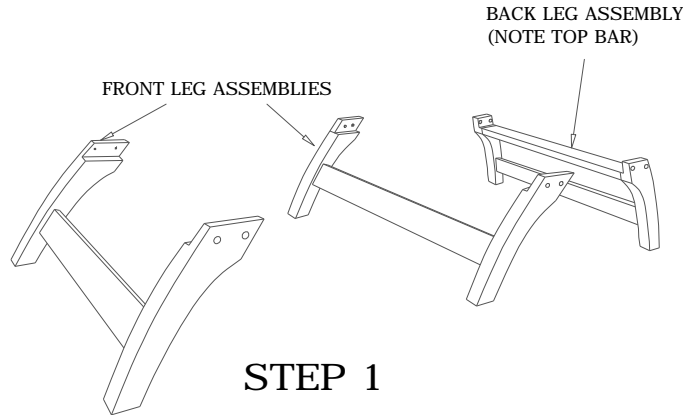


CONTOUR SUN CHASER LOUNGE

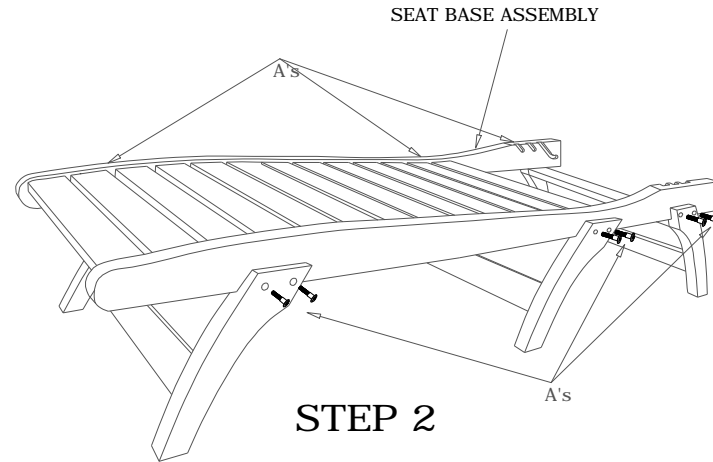
CL-1202

BREEZESTA™

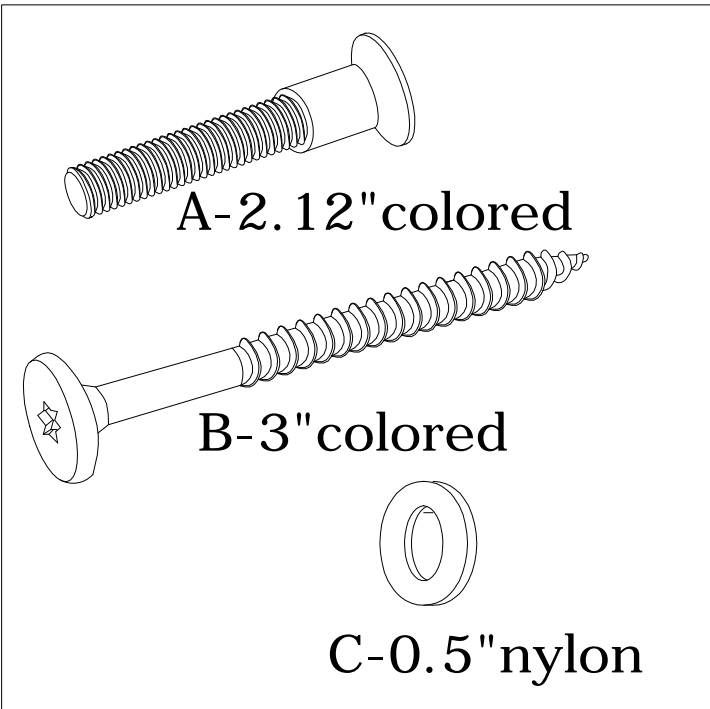
Recycled Poly Furniture



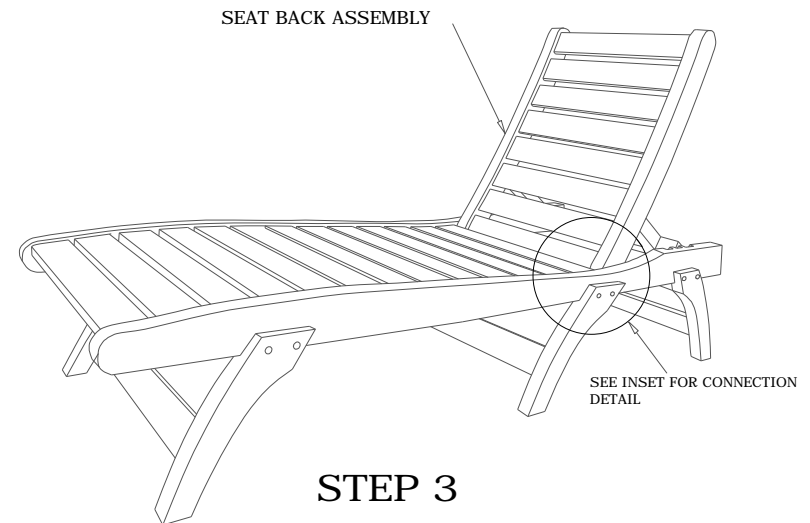
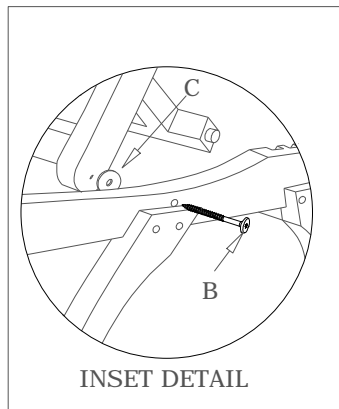
Arrange Front Leg Assemblies and Back Leg Assembly.



Attach Seat Base Assembly to legs using Chair Bolts (A).



- LIST OF PARTS
- Front Leg Assemblies (2)
 - Back Leg Assembly (1)
 - Seat Assembly (1)
 - Seat Back (1)
 - Chair Bolts "A" (12)
 - Colored Screws "B" (2)
 - Nylon Washers "C" (2)
 - Insert Bit Tool (1)



Attach Seat Back to Seat Base using Screws (B) and Nylon Washers (C), as shown in inset detail.