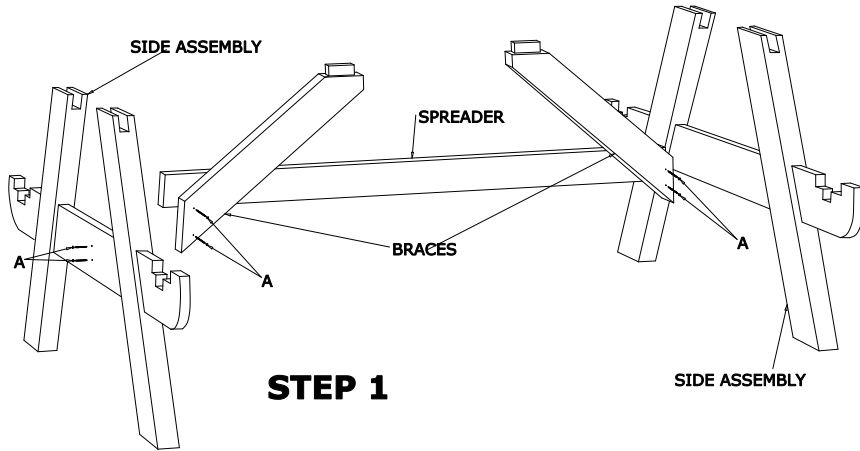


# 8' PICNIC TABLE

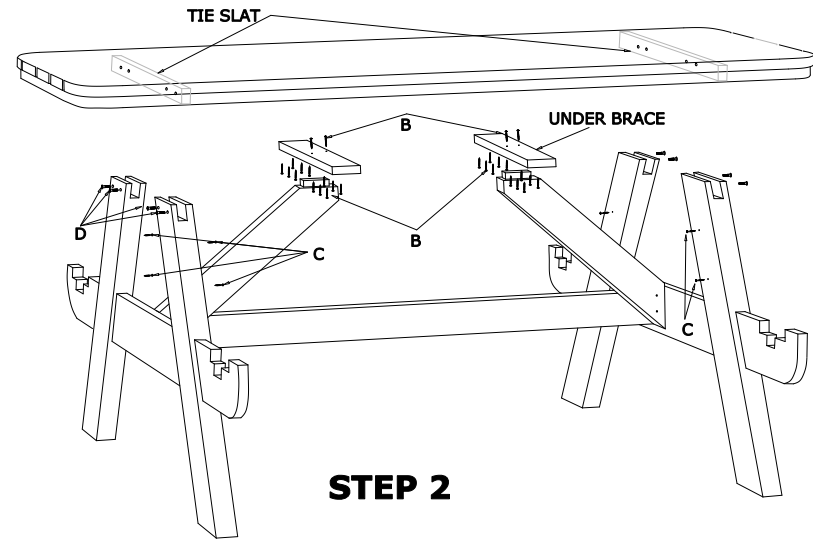
PK-1300-96

**BREEZESTA** tm  
Recycled Poly Furniture



**STEP 1**

Attached Braces to Side Assemblies by placing tenon into pocket and attaching with screw (A) as shown. Attach Spreader to Braces using screws (A) as shown.



**STEP 2**

Fit the pocket in the Under Brace to the tenon on the Brace. Attach from the top with Screws (B) as shown. Place the table top on the Assembly. Insure the Tie Slats fit into the slots in the Side Assemblies and attach with Bolts (D) as Shown. Place Screws (C) into Side Assemblies as shown. From the underside using screws (B) screw trough holes in Under Brace into bottom of table.

**A-2.5" (24 pcs.) colored**

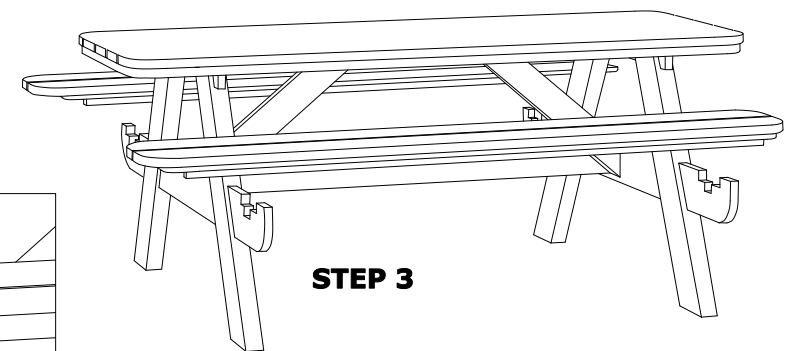
**B-1.75" (28 pcs.) un-colored**

**C-1.5" (8 pcs.) colored**

**D-1.5" (8 pcs.)**

**LIST OF PARTS**

- Side Assemblies (2)
- Braces (2)
- Seats (2)
- Insert Bit Tool (1)
- Hardware (See Inset Box Above)
- Spreader (1)
- Under Braces (2)
- Table Top (1)



**STEP 3**

Place Seats onto side assemblies and attach with screws (A) as show.

