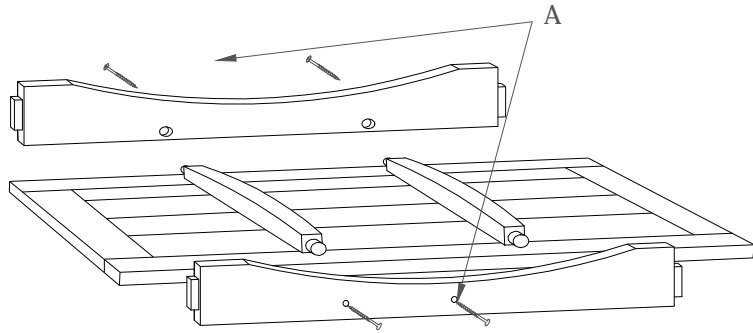


Piedmont Coffee Table

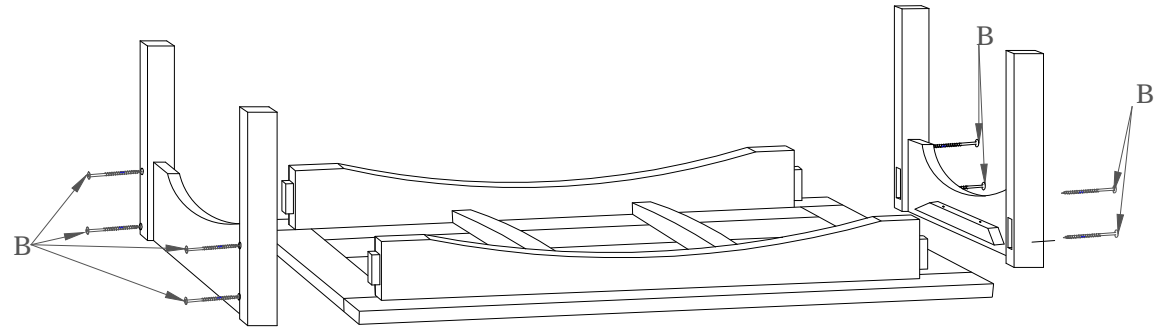
PT-0503

BREEZESTAtm
Recycled Poly Furniture



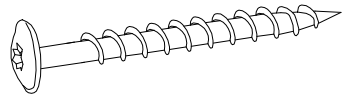
STEP 1

Lay the top assembly upside down on a soft surface. Place Spreaders so that tenon fits into hole as shown in drawing. Attached with Screw "A".

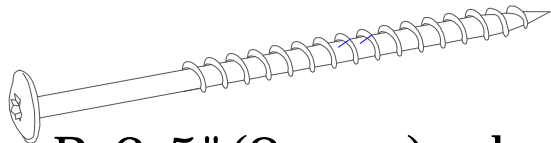


STEP 2

Fit Side Assemblies as shown, fitting tenon into mortise pocket. Attach with screws "B" as shown.

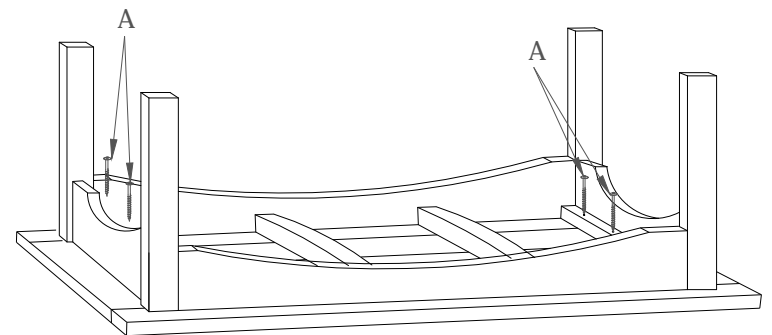


A-1.5" (8pcs.) colored



B-2.5" (8 pcs.) colored

LIST OF PARTS
Side Assemblies (2)
Spreaders (2)
Top Assembly (1)
Colored Screws "A" (8)
Colored Screws "B" (8)
Insert Bit Tool (1)



Using screws "A" screw through the pre-drilled holes to attach the table base to the table top. Turn your table over and enjoy.