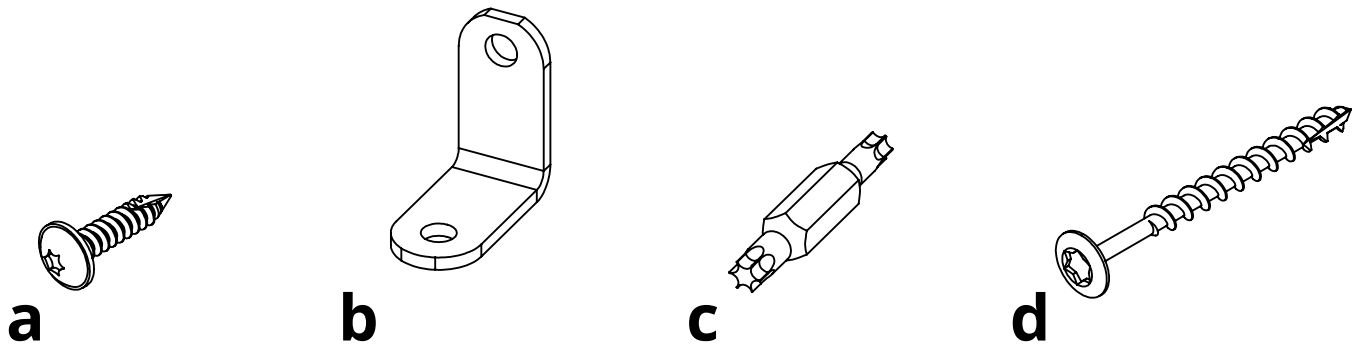


PARTS			
PART	DESCRIPTION	PART NO.	QTY
A	TABLE TOP ASSEMBLY	SA-00293	1
B	FRONT LEG ASSEMBLY	SA-00292	1
C	BACK LEG	PRT-00592	2
D	TERRACE TABLE SHELF	AC-9904	1



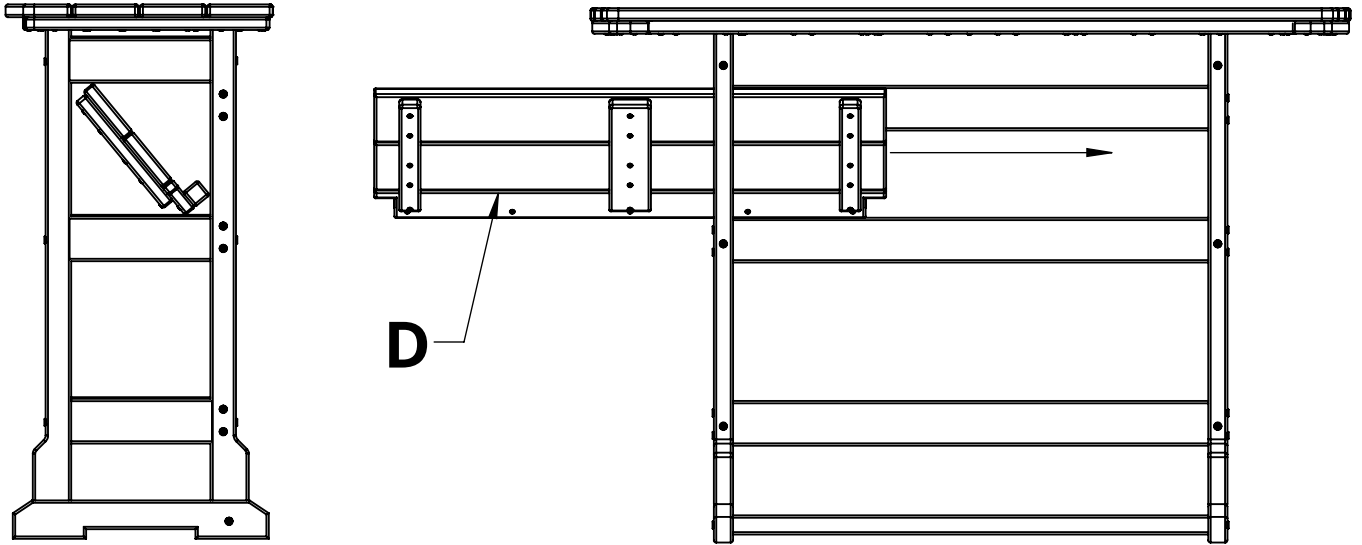
HARDWARE			
PART	DESCRIPTION	PART NO.	QTY
a	#8 x 3/4" Torx Screw	H-0000-S834	16
b	L Bracket for Table Tops	H-0000-MLB	8
c	T20 & T25 TORX BIT	H-0000-CTD	1
d*	#8 x 2" Torx Screw	H-0000-S82	4

*2" Screws are for permanent attachment to the existing table, if desired.

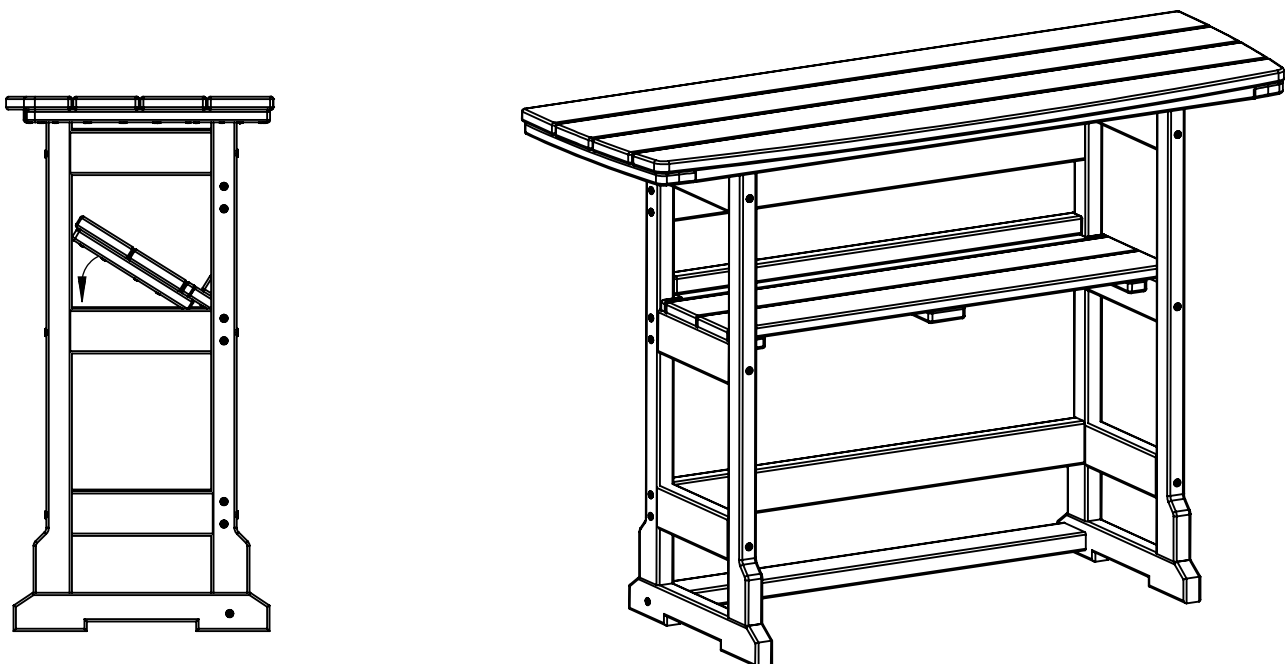
Suggested Tools: Drill, Plastic Mallet

Please read entire instructions before beginning

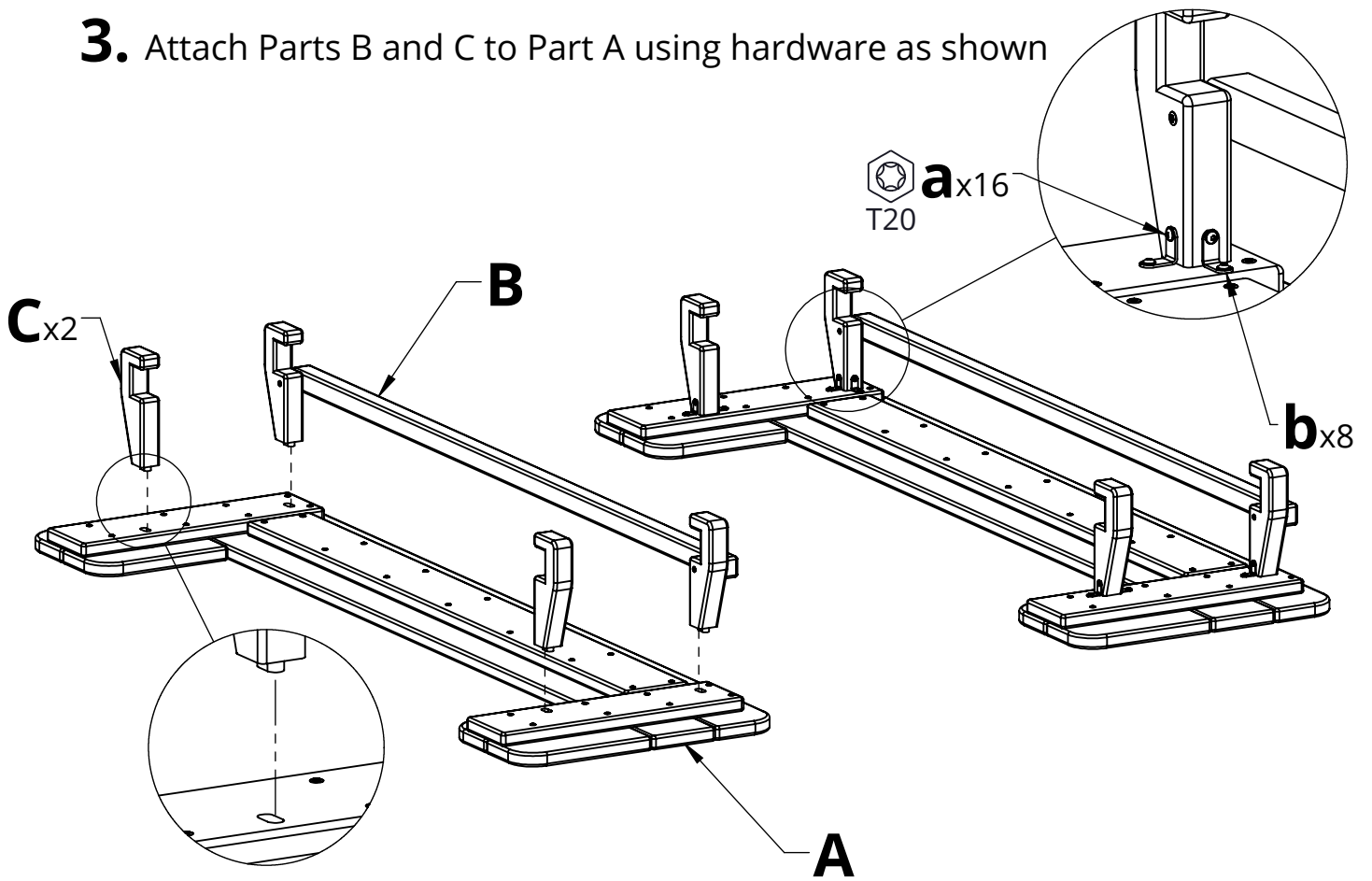
- 1.** Rotate Part D as shown below;
push through the Terrace Table until it is flush with the opposite side



- 2.** Rotate Part D until it rests as shown



3. Attach Parts B and C to Part A using hardware as shown



4. From front, slide assembled piece from Step 3 as shown

