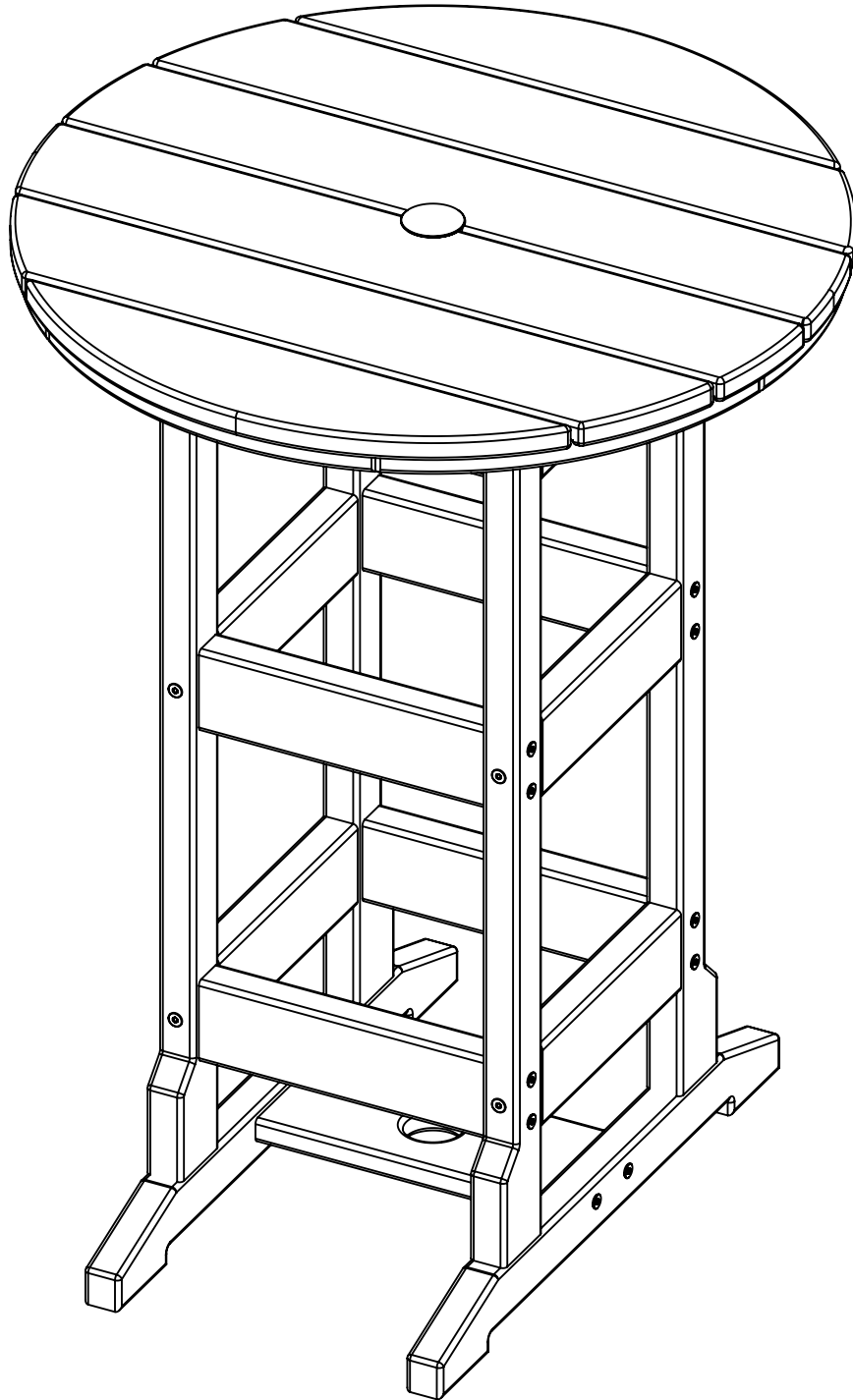


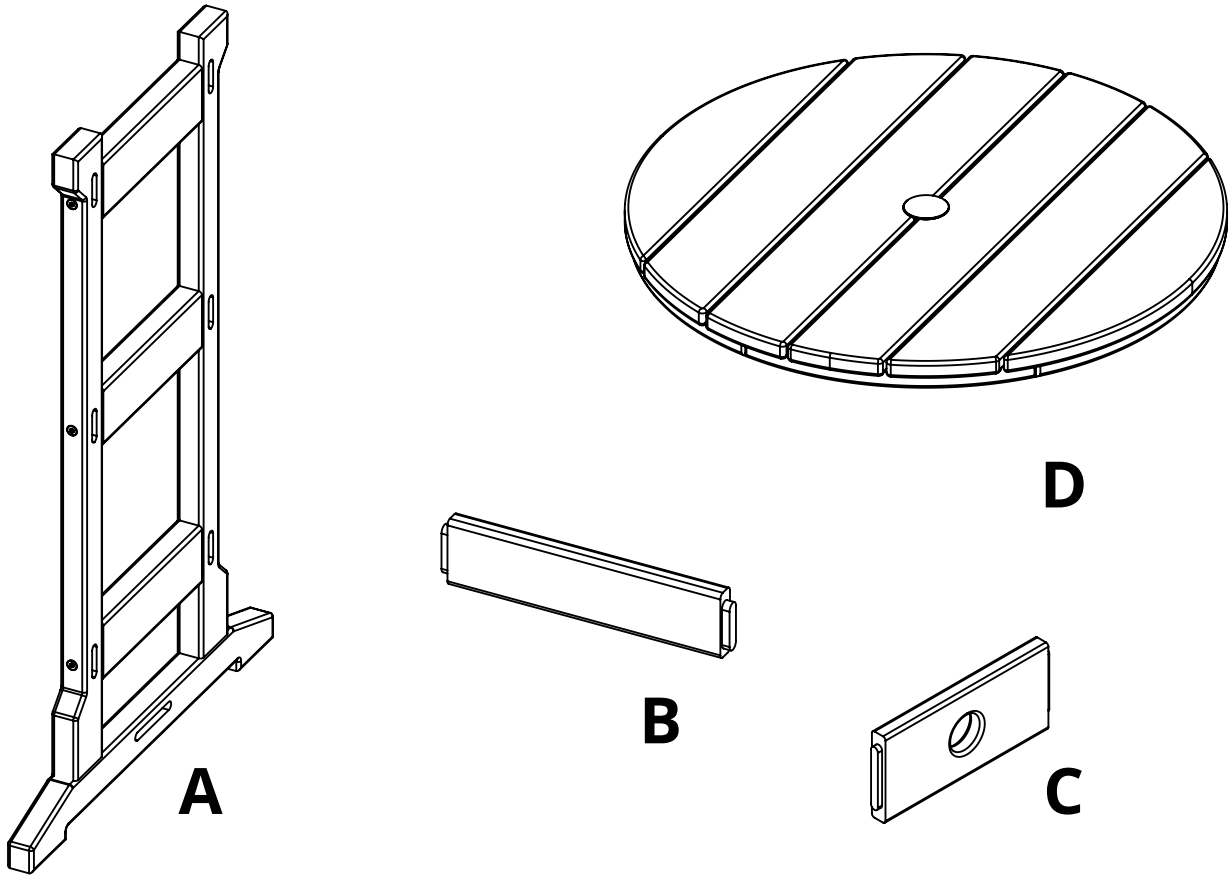
breezesta™

32" ROUND BAR TABLE

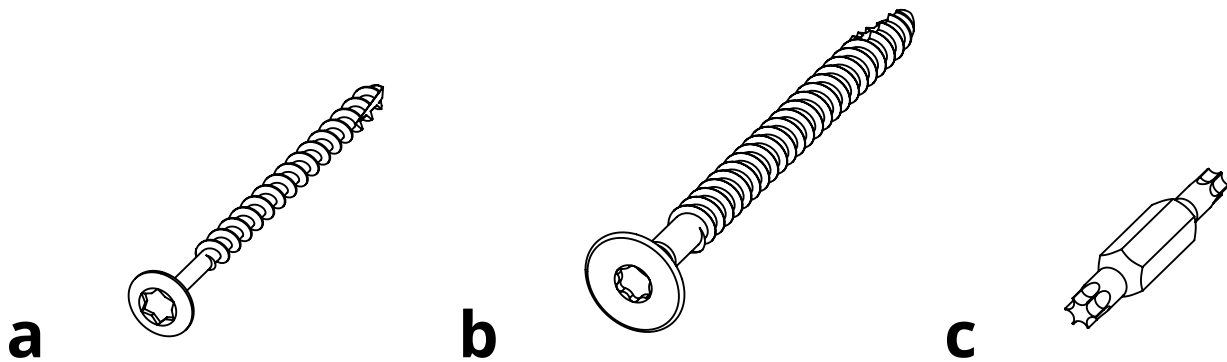
BH-0907



REV00-1/19



PARTS			
PART	DESCRIPTION	PART NO.	QTY
A	SIDE ASSEMBLY	SA-00312	2
B	SPREADER	PRT-00620	6
C	BASE SPREADER	PRT-00621	1
D	TABLE TOP ASSEMBLY 32"ROUND	SA-00307	1

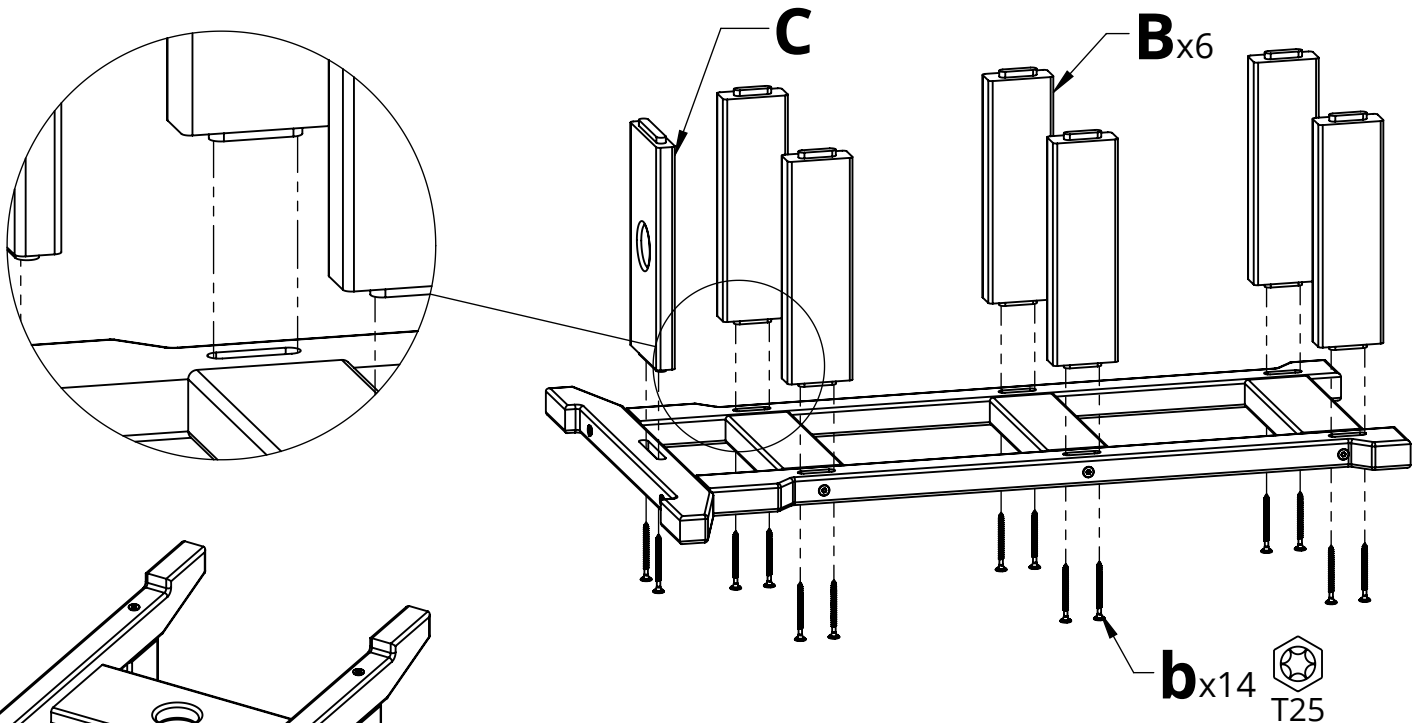


HARDWARE			
PART	DESCRIPTION	PART NO.	QTY
a	#8 X 2" TORX SCREW	H-0000-S82	4
b	1/4-10 x 3" LAG	H-0000-S103	28
c	T20 & T25 TORX BIT	H-0000-CTD	1

Suggested Tools: Drill, Plastic Mallet

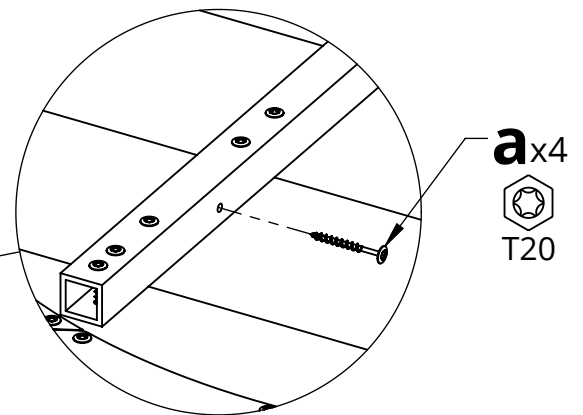
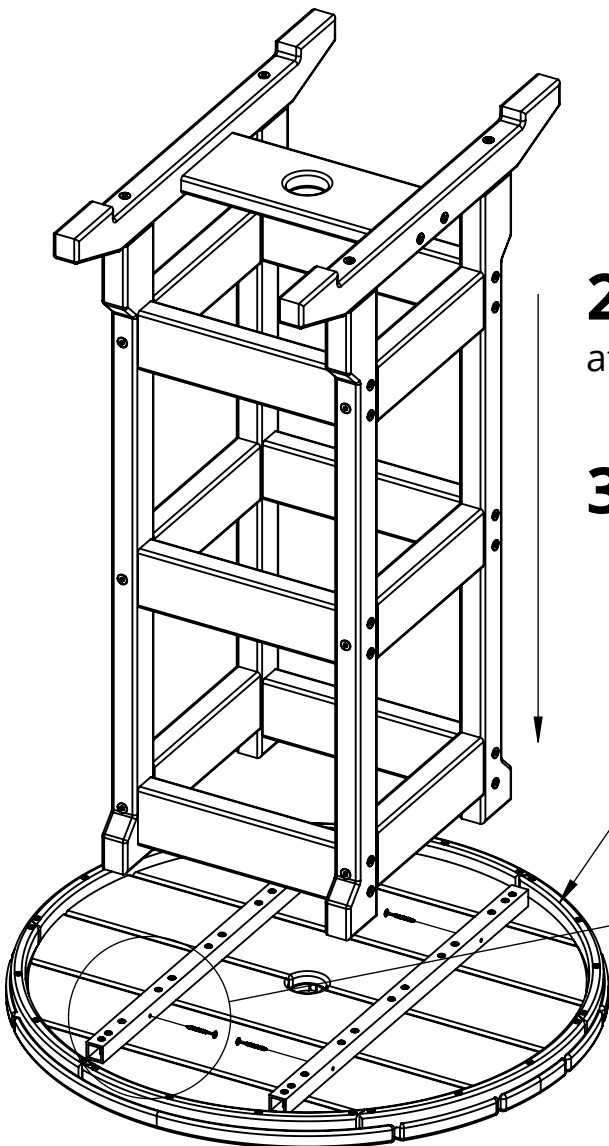
Please read entire instructions before beginning

1. Attach Part B and Part C to Part A using Hardware b



2. Place second Part A on assembled piece from Step 1, attach with Hardware b

3. Place Part A onto Part D, attach using Hardware a



May be easier if assembled upside down