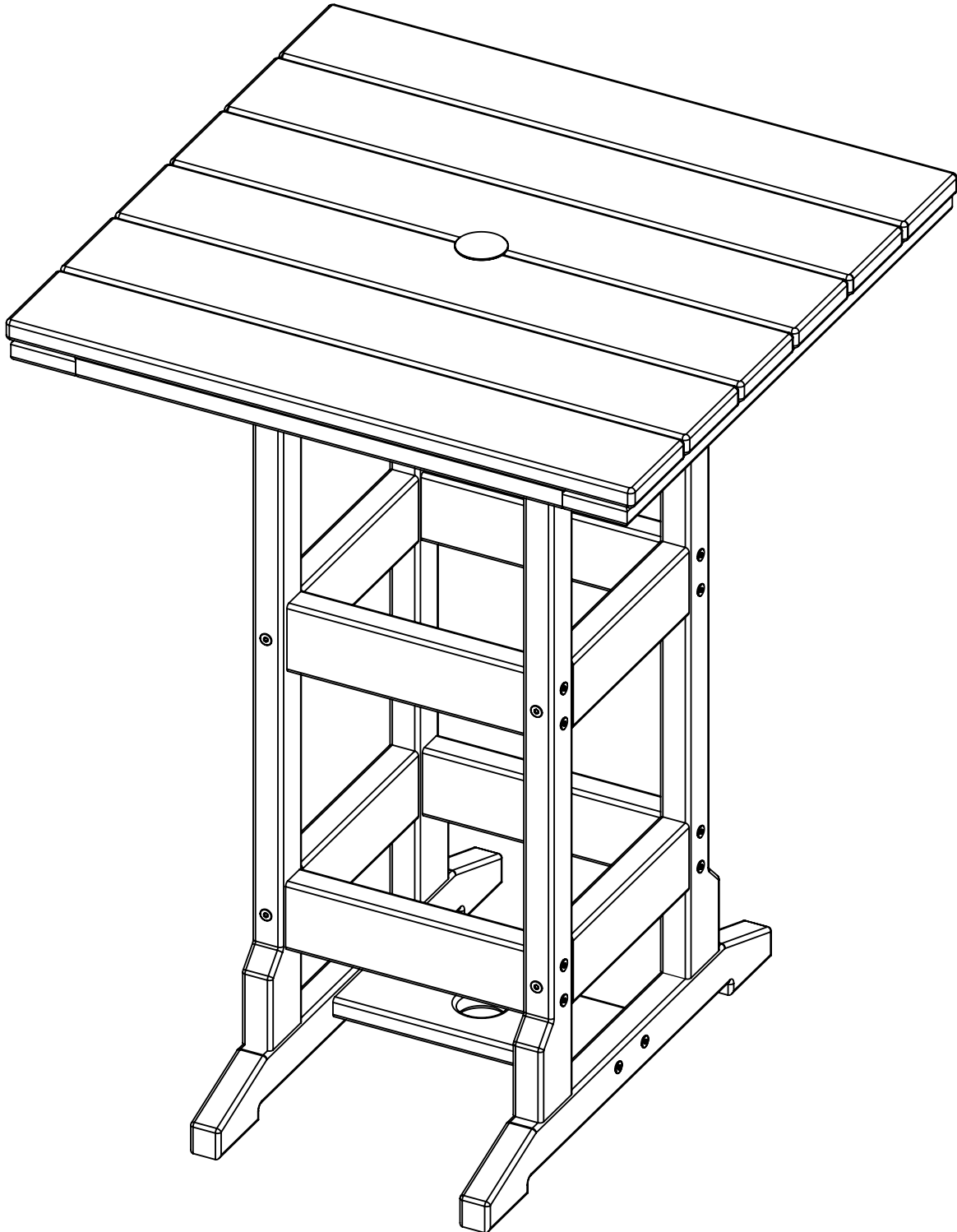


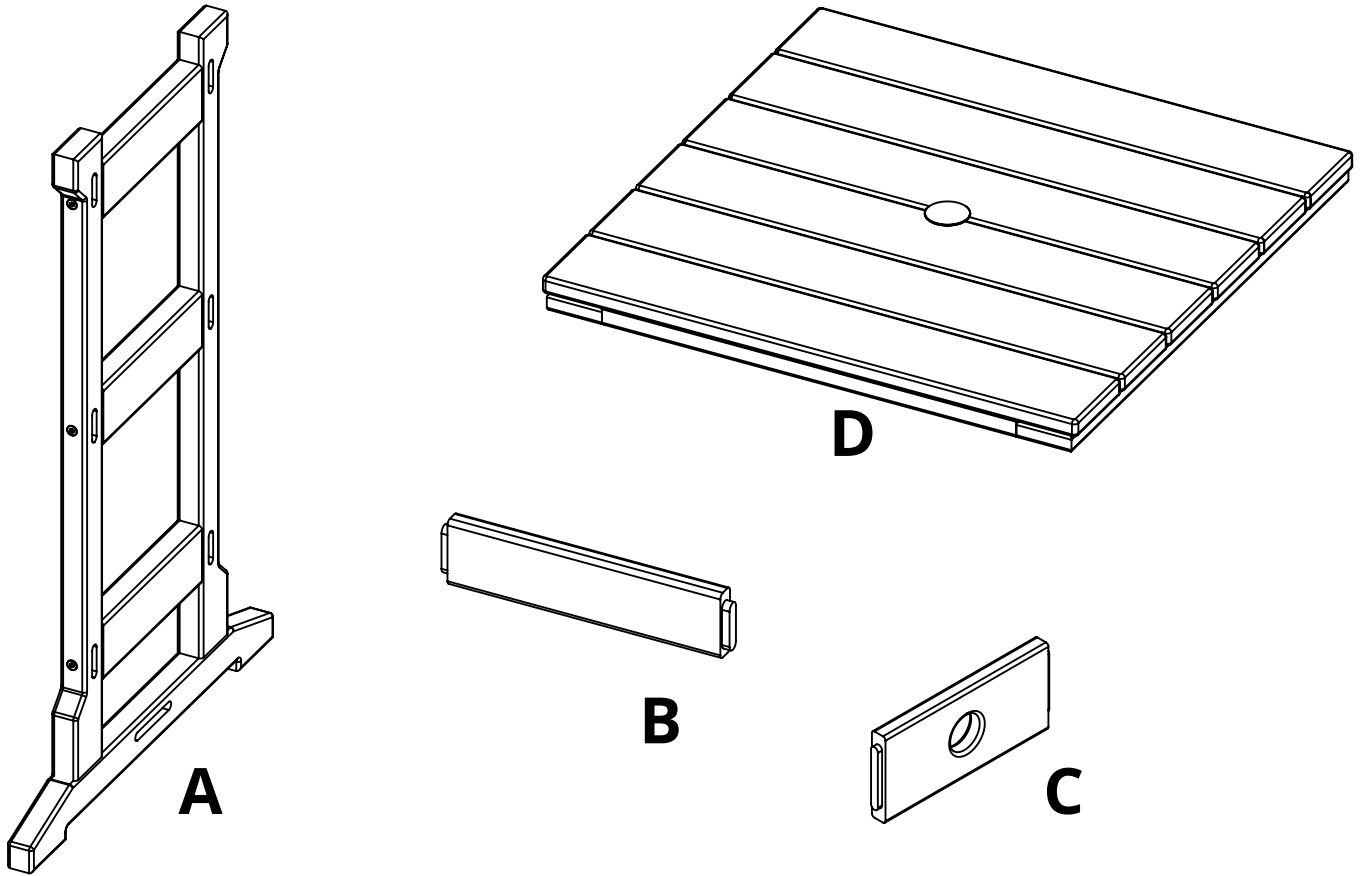
breezesta™

# 32"x 32" BAR TABLE

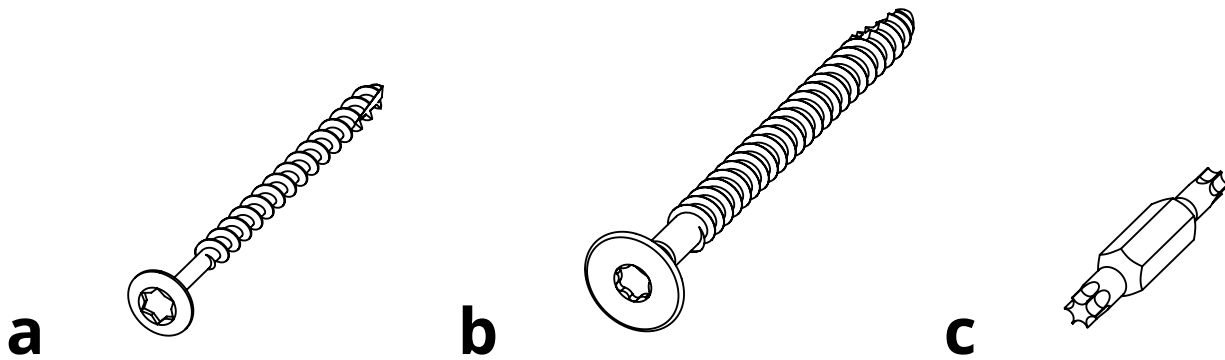
BH-0911



REV00-1/19



| <b>PARTS</b> |                            |                 |            |
|--------------|----------------------------|-----------------|------------|
| <b>PART</b>  | <b>DESCRIPTION</b>         | <b>PART NO.</b> | <b>QTY</b> |
| A            | SIDE ASSEMBLY              | SA-00312        | 2          |
| B            | SPREADER                   | PRT-00620       | 6          |
| C            | BASE SPREADER              | PRT-00621       | 1          |
| D            | TABLE TOP ASSEMBLY 32"x32" | SA-00324        | 1          |

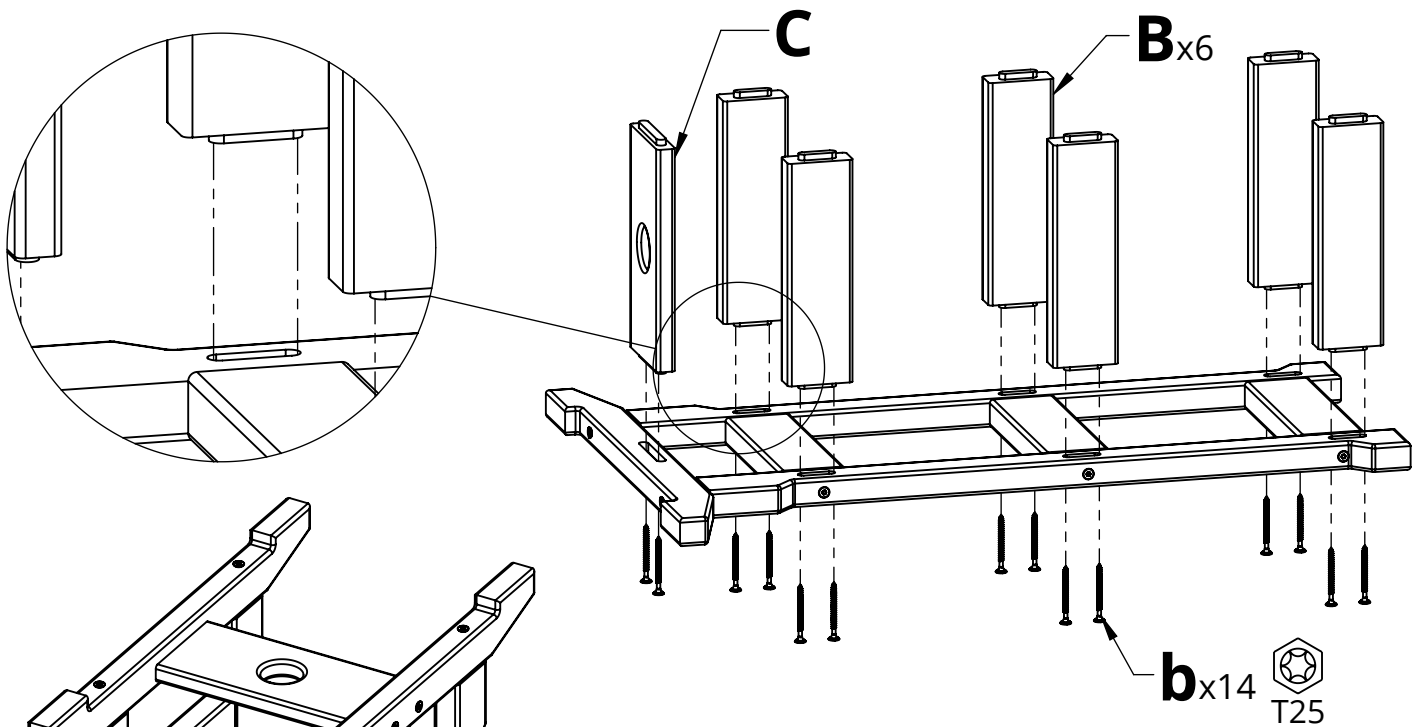


| <b>HARDWARE</b> |                    |                 |            |
|-----------------|--------------------|-----------------|------------|
| <b>PART</b>     | <b>DESCRIPTION</b> | <b>PART NO.</b> | <b>QTY</b> |
| a               | #8 X 2" TORX SCREW | H-0000-S82      | 4          |
| b               | 1/4-10 x 3" LAG    | H-0000-S103     | 28         |
| c               | T20 & T25 TORX BIT | H-0000-CTD      | 1          |

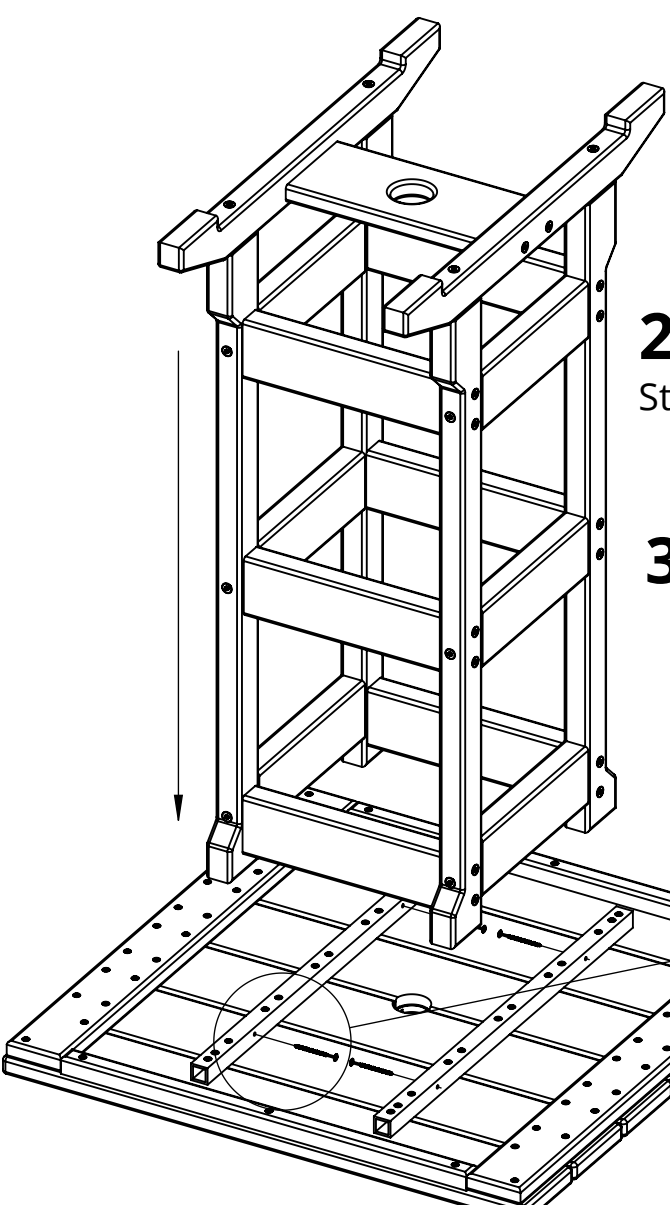
**Suggested Tools:** Drill, Plastic Mallet

# Please read entire instructions before beginning

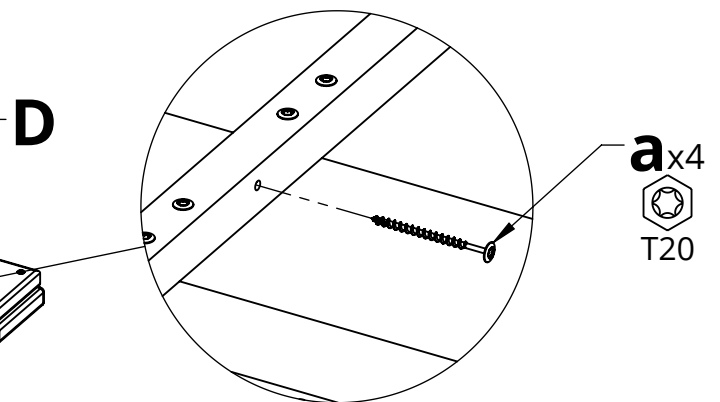
1. Attach Part B and Part C to Part A using Hardware b



2. Place second Part A on assembled piece from Step 1, attach with Hardware b



3. Place Part A onto Part D, attach using Hardware a



May be easier if assembled upside down