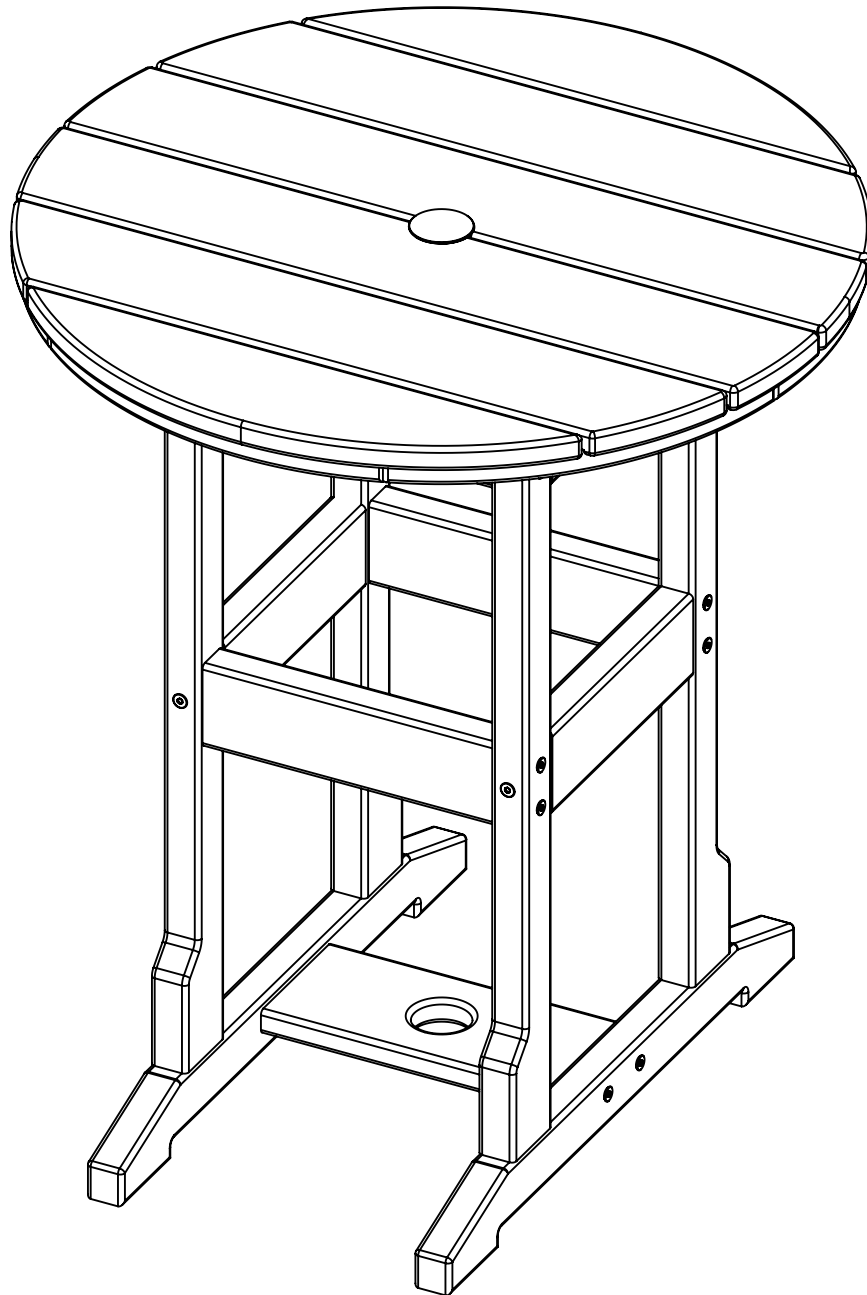


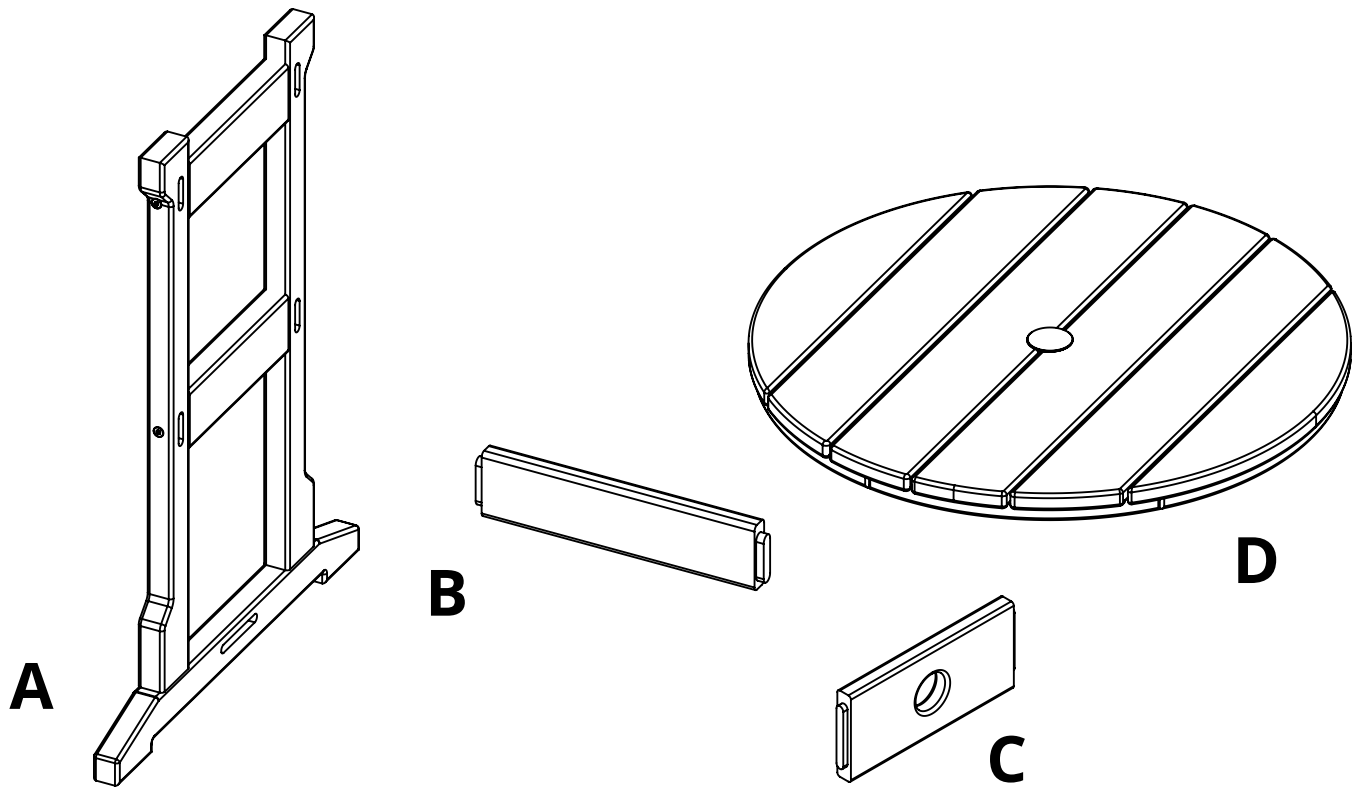
breezesta™

# 32" ROUND COUNTER TABLE

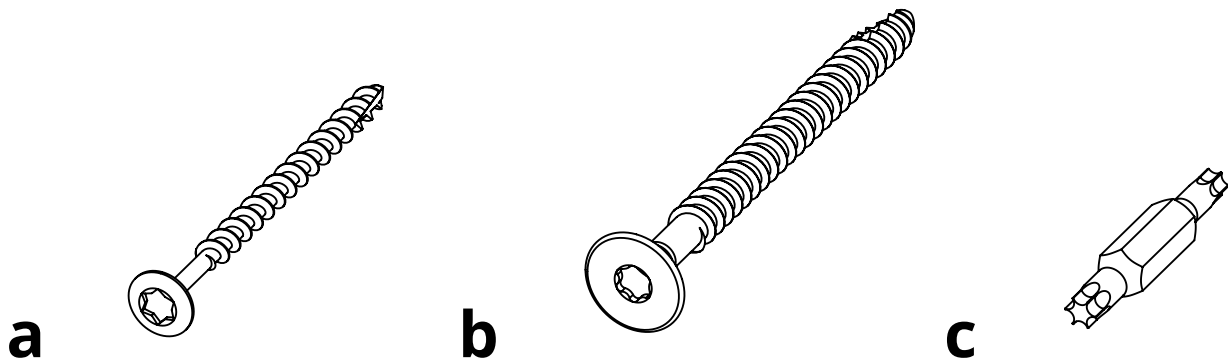
CH-0807



REV00-1/19



<b>PARTS</b>			
<b>PART</b>	<b>DESCRIPTION</b>	<b>PART NO.</b>	<b>QTY</b>
A	SIDE ASSEMBLY	SA-00311	2
B	SPREADER	PRT-00620	4
C	BASE SPREADER	PRT-00621	1
D	TABLE TOP ASSEMBLY 32"ROUND	SA-00307	1

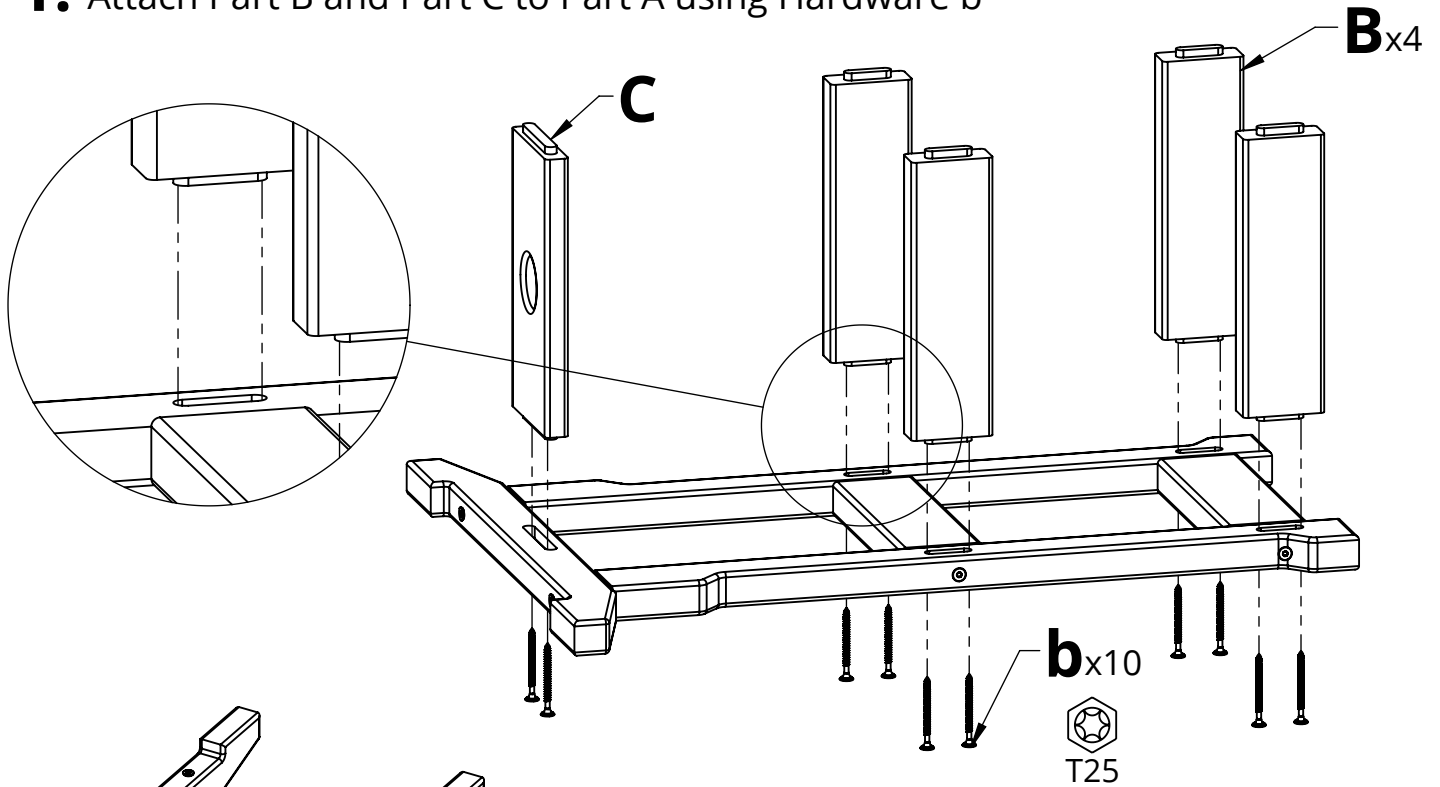


<b>HARDWARE</b>			
<b>PART</b>	<b>DESCRIPTION</b>	<b>PART NO.</b>	<b>QTY</b>
a	#8 X 2" TORX SCREW	H-0000-S82	4
b	1/4-10 x 3" LAG	H-0000-S103	20
c	T20 & T25 TORX BIT	H-0000-CTD	1

**Suggested Tools:** Drill, Plastic Mallet

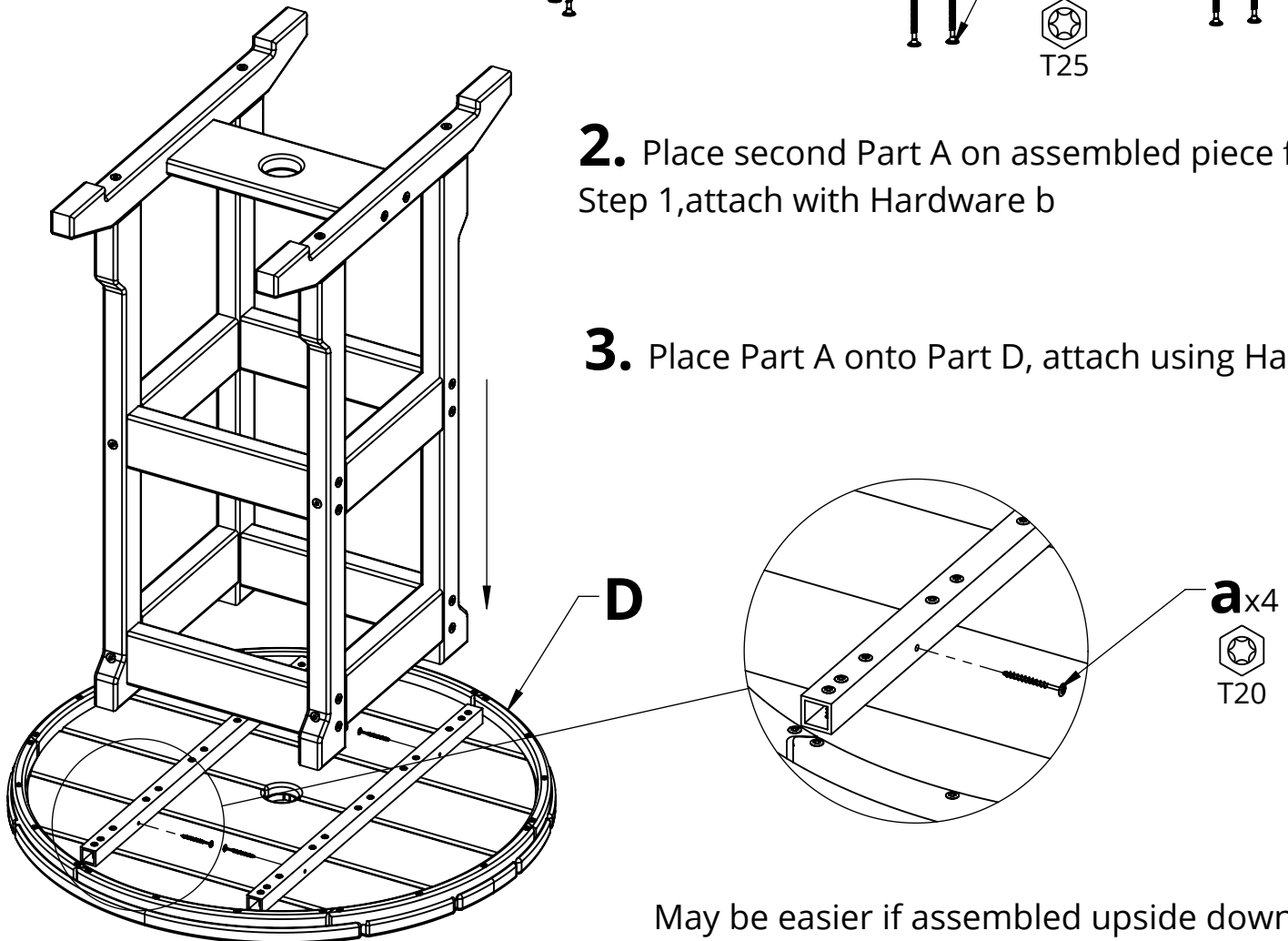
# Please read entire instructions before beginning

- 1.** Attach Part B and Part C to Part A using Hardware b



- 2.** Place second Part A on assembled piece from Step 1, attach with Hardware b

- 3.** Place Part A onto Part D, attach using Hardware a



May be easier if assembled upside down