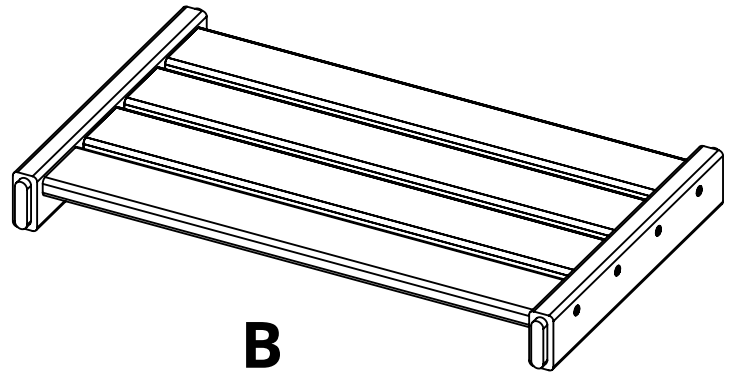


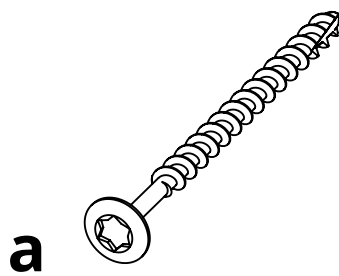
A



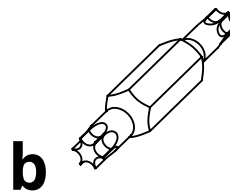
B

PARTS

PART	DESCRIPTION	PART NO.	QTY
A	SIDE ASSEMBLY	SA-00255	2
B	SHELF ASSEMBLY	SA-00256	2



a



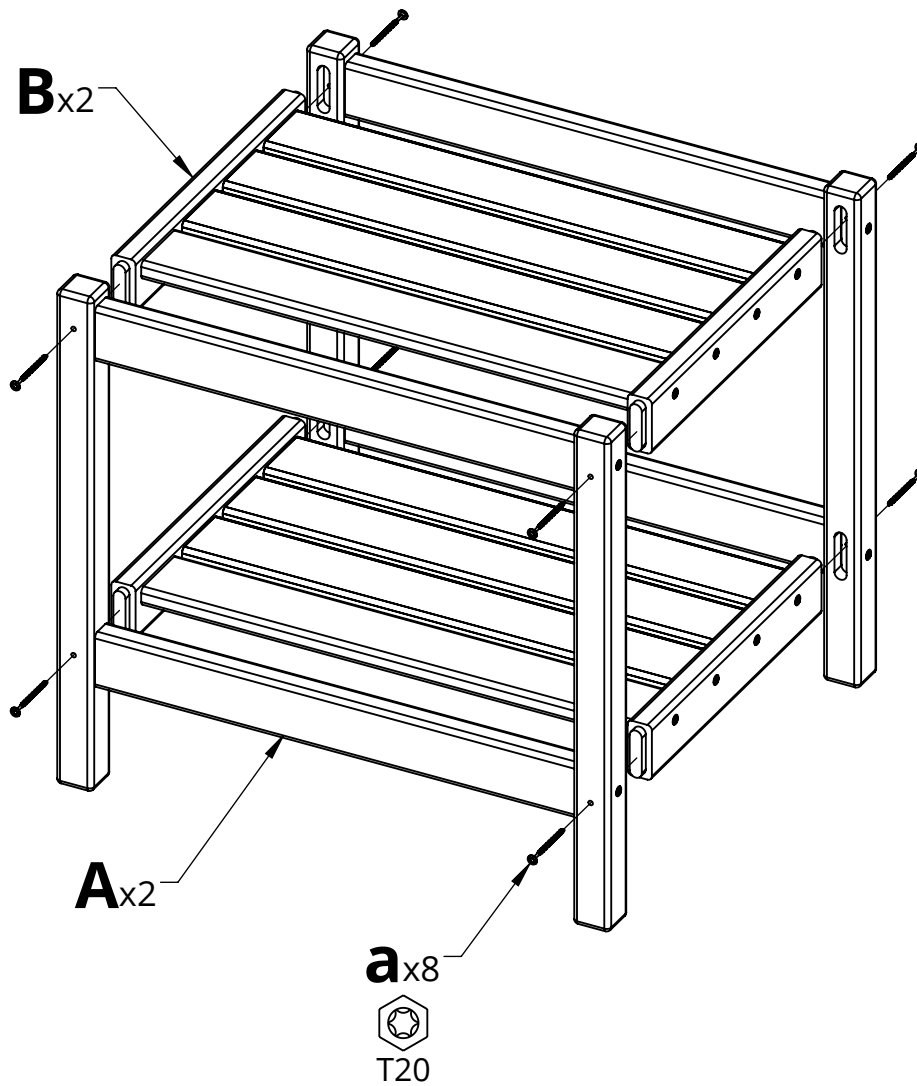
b

HARDWARE

PART	DESCRIPTION	PART NO.	QTY
a	#8 X 2-1/2" TORX SCREW	H-0000-S825	8
e	T20 & T25 TORX BIT	H-0000-CTD	1

Suggested Tools: Drill, Plastic Mallet

***Please read entire instructions
before beginning***



- 1.** Attach Part A to Part B using Hardware a