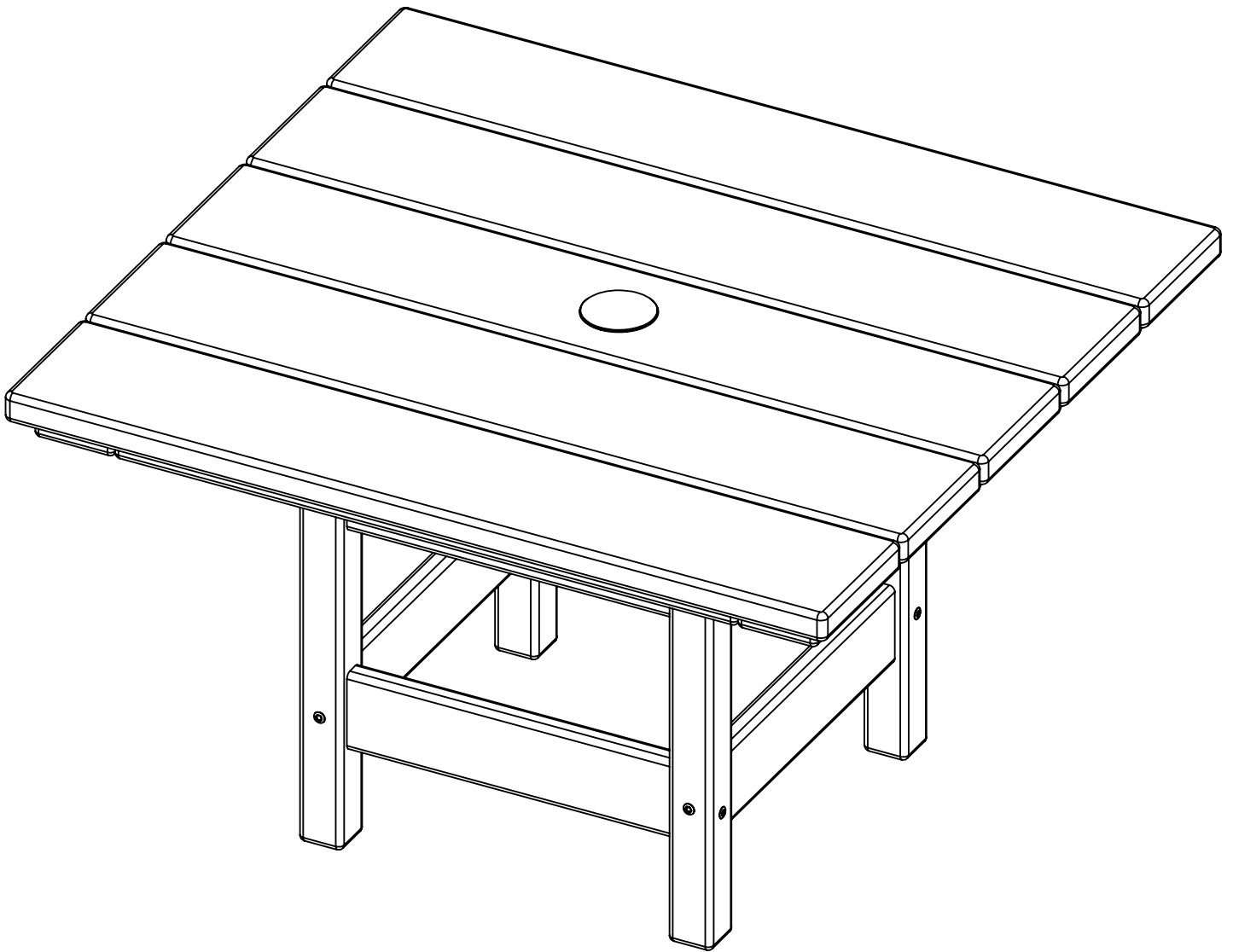
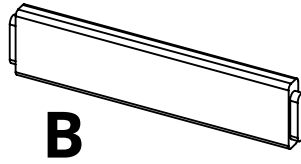
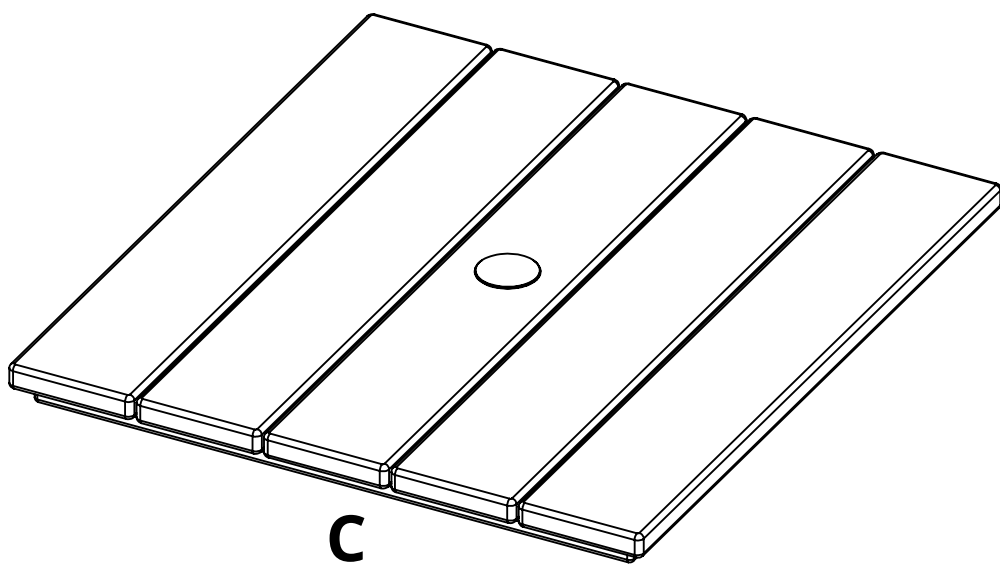
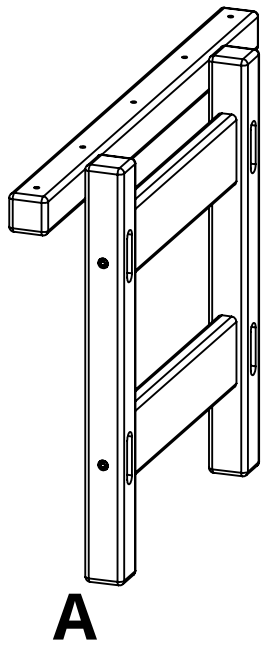


breezesta™

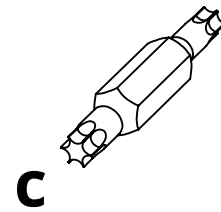
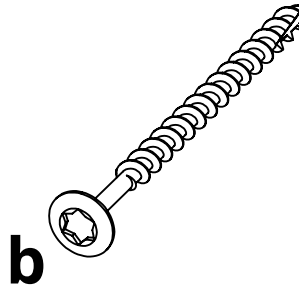
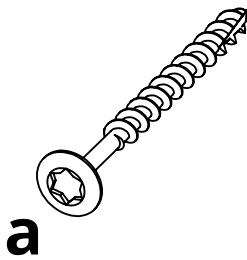
**26" x 28" CONVERSATION TABLE**  
CT-1104



REV03-7/21



<b>PARTS</b>			
<b>PART</b>	<b>DESCRIPTION</b>	<b>PART NO.</b>	<b>QTY</b>
A	SIDE ASSEMBLY	SA-00037	2
B	STOOL SPREADER	SS-11.25	4
C	TABLE TOP ASSEMBLY 26"	SA-00322	1

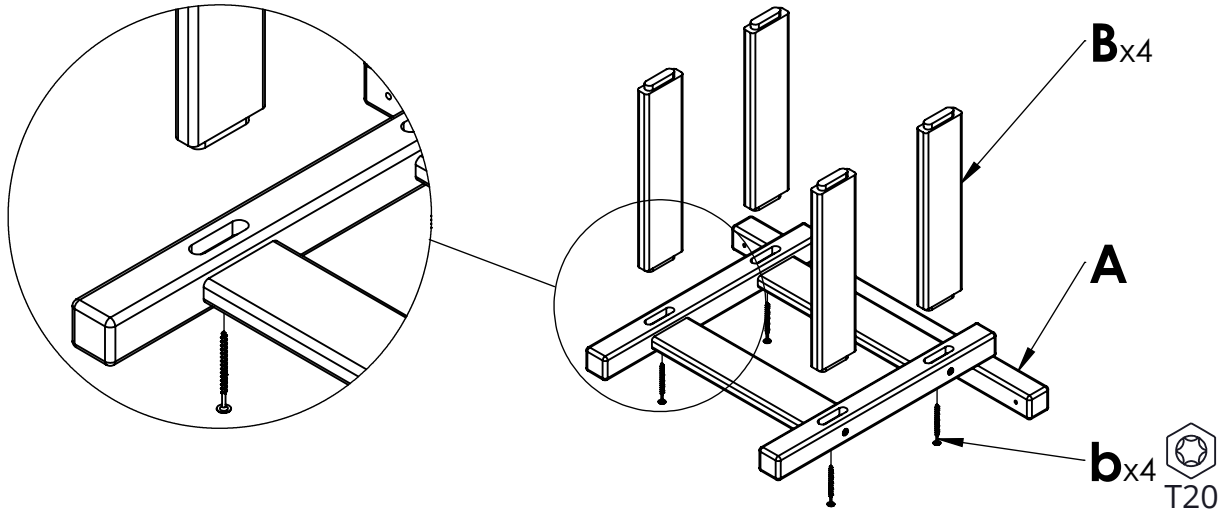


<b>HARDWARE</b>			
<b>PART</b>	<b>DESCRIPTION</b>	<b>PART NO.</b>	<b>QTY</b>
a	#8 X 2" TORX SCREW-UNPAINTED	H-0000-S82	10
b	#8 X 2-1/2" TORX SCREW-PAINTED	H-0000-S825	8
c	T20 & T25 TORX BIT	H-0000-CTD	1

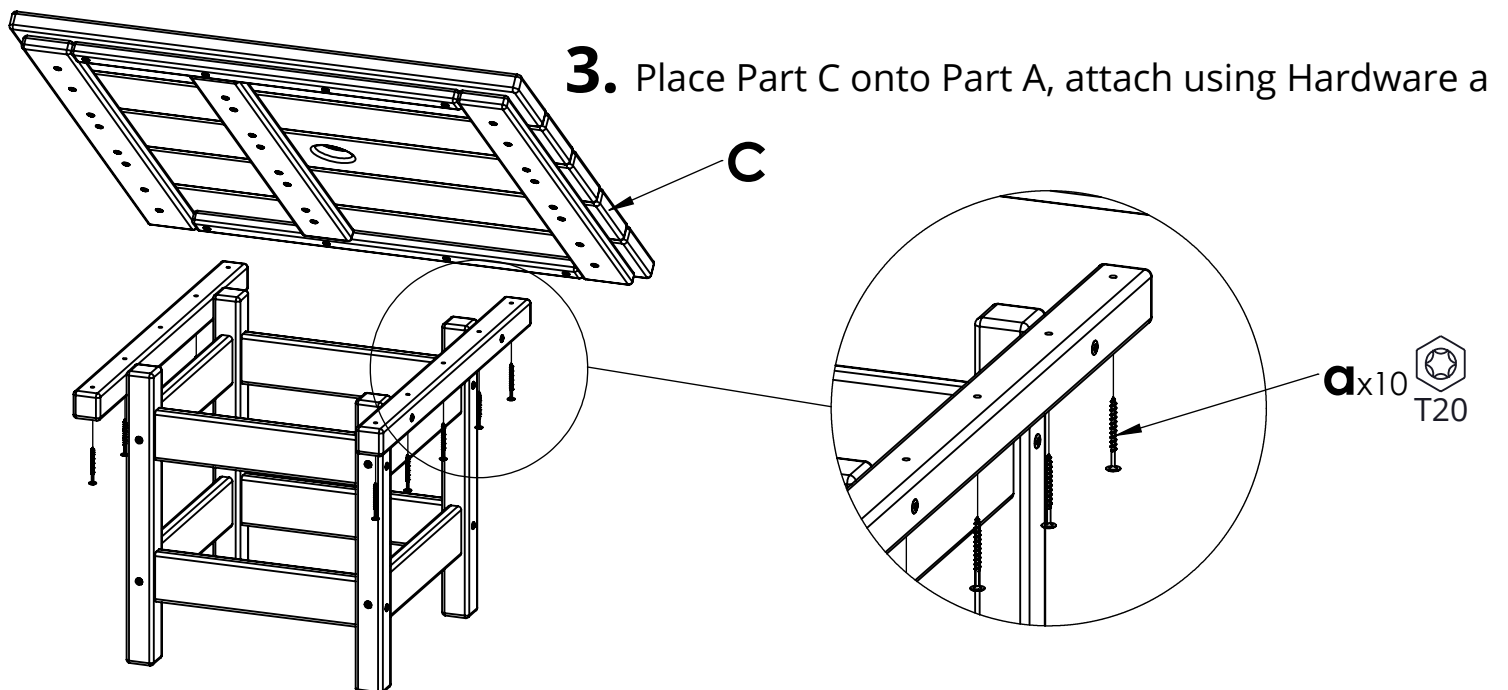
**Suggested Tools:** Drill, Plastic Mallet

# Please read entire instructions before beginning

1. Attach Part B to Part A using Hardware b



2. Place second Part A on assembled piece from Step 1, attach with Hardware b



May be easier if assembled upside down