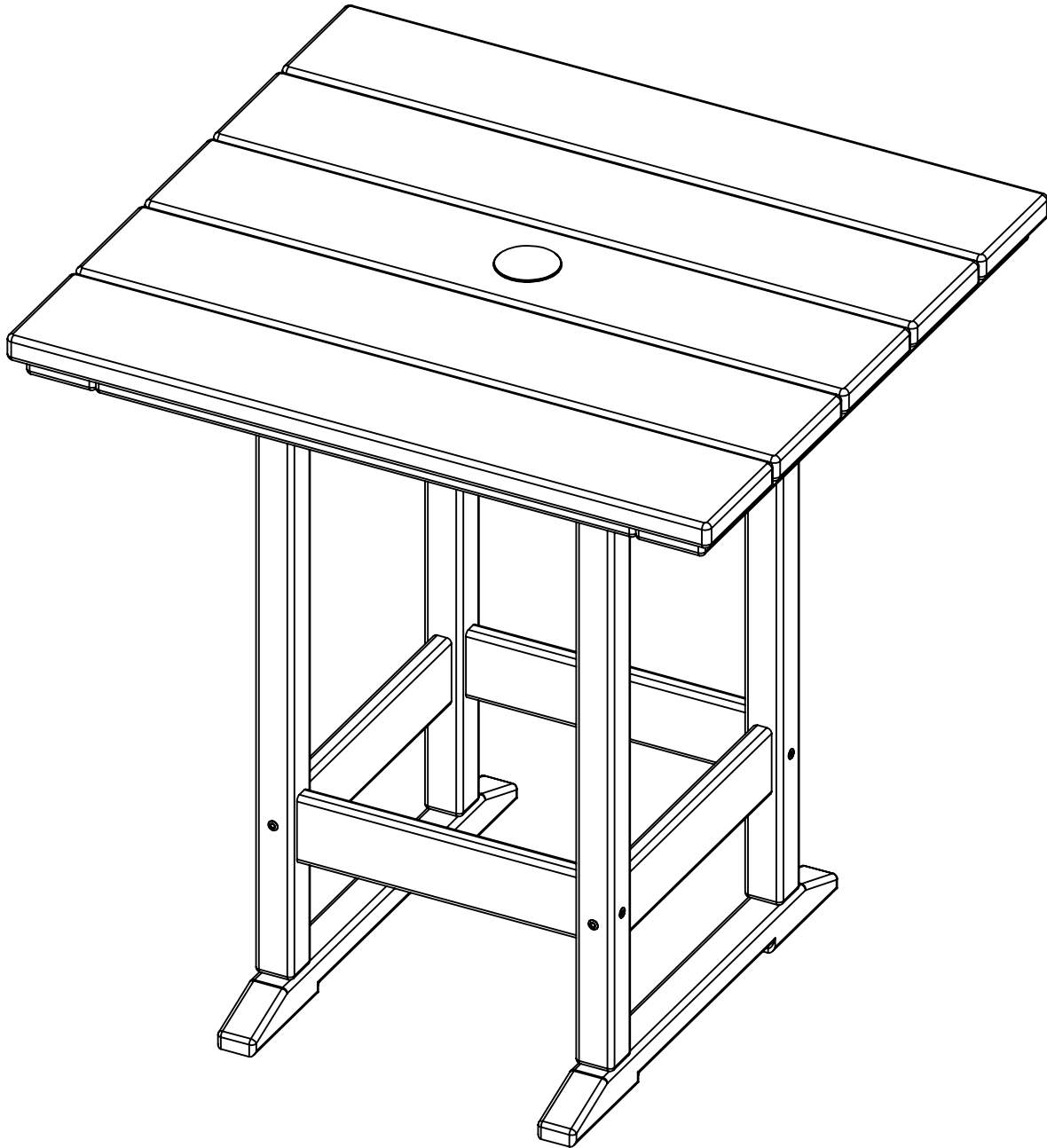
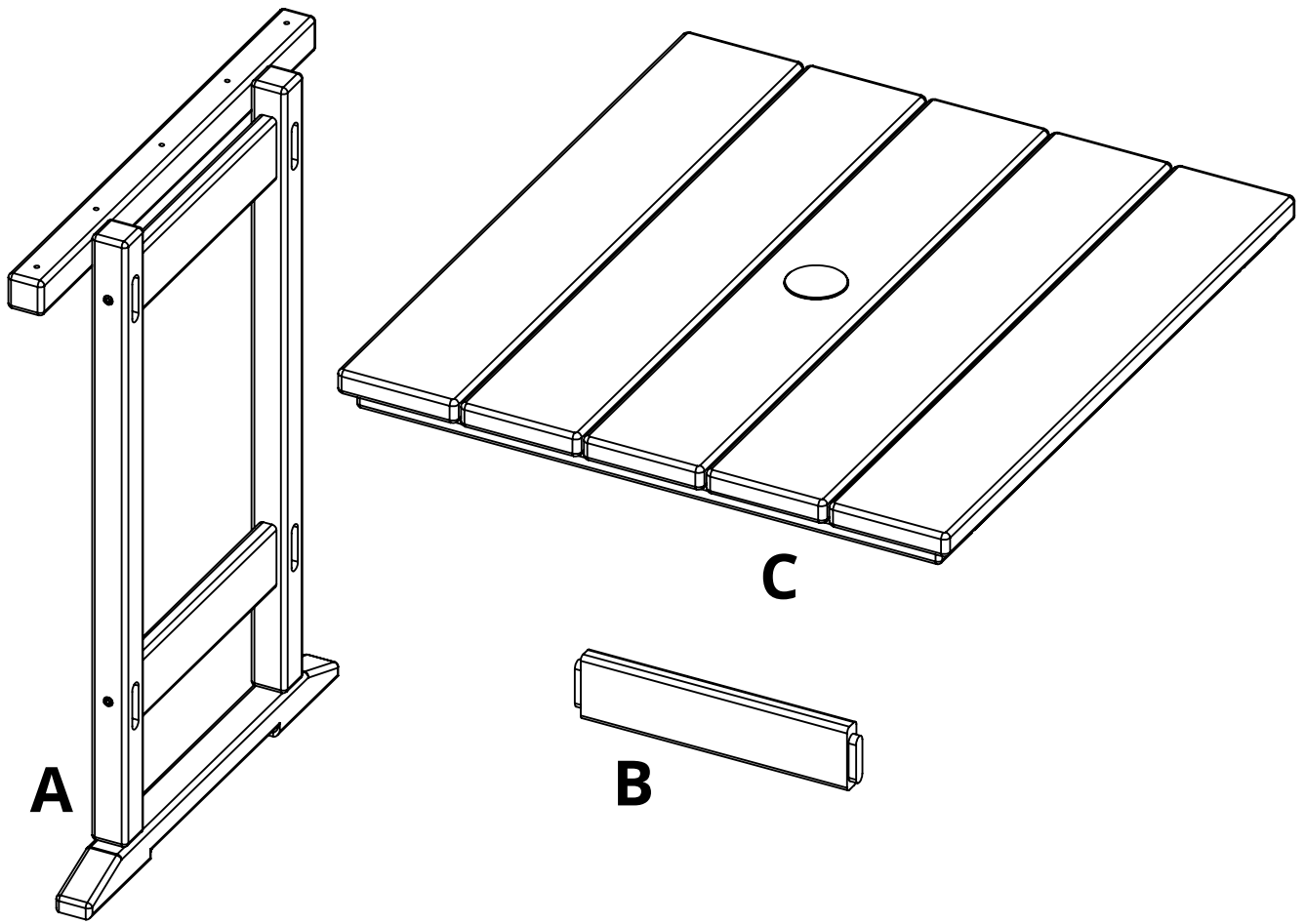


breezesta™

26" x 28" DINING TABLE
DH-0705

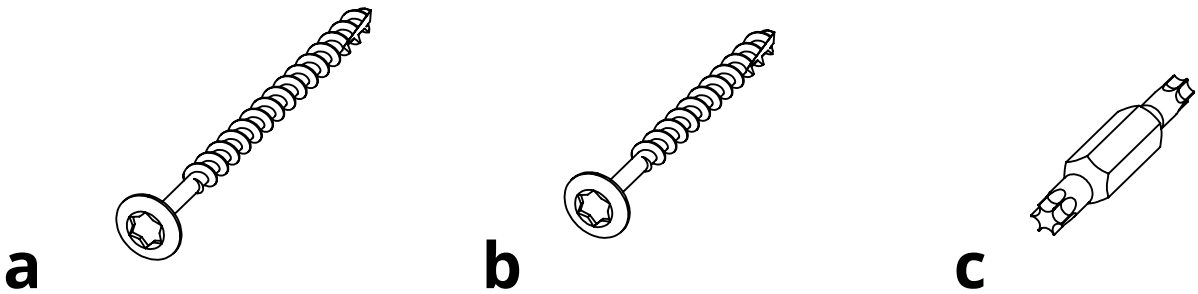


REV01-4/20



PARTS

PART	DESCRIPTION	PART NO.	QTY
A	SIDE ASSEMBLY	SA-00036	2
B	STOOL SPREADER	SS-11.25	4
C	TABLE TOP ASSEMBLY 26"	SA-00322	1



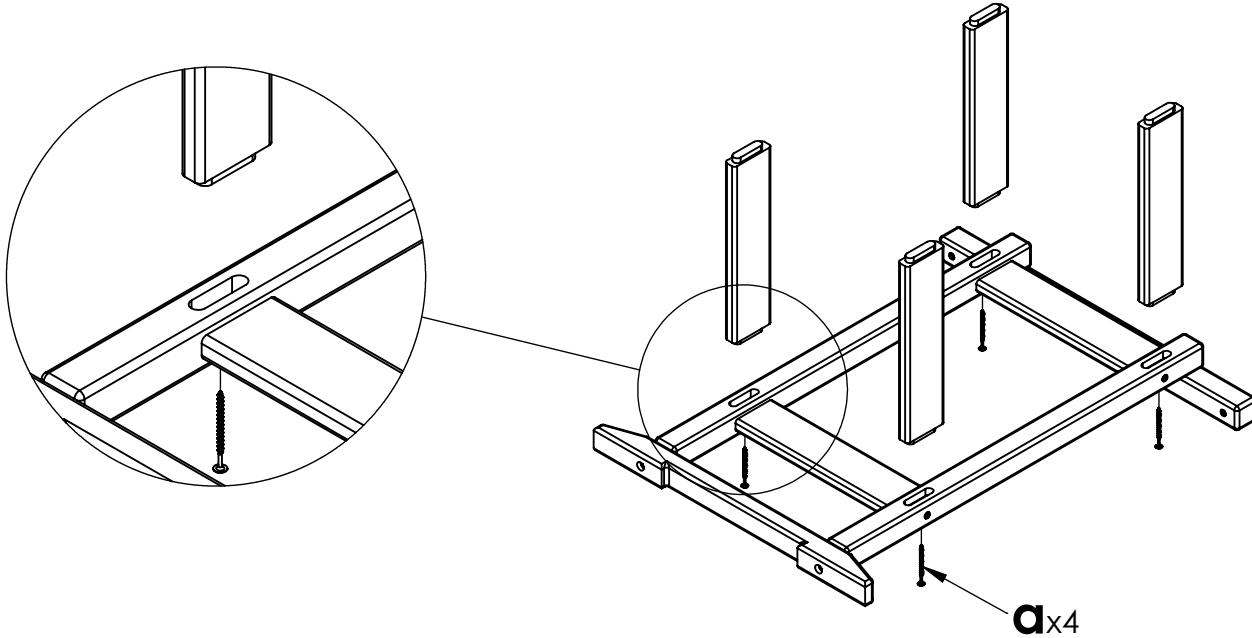
HARDWARE

PART	DESCRIPTION	PART NO.	QTY
a	#8 2-1/2" TORX SCREW-PAINTED	H-0000-S825	8
b	#8 X 2" TORX SCREW-UNPAINTED	H-0000-S82	10
d	2" UMBRELLA CAP	H-0000-UC	1
c	T20 & T25 TORX BIT	H-0000-CTD	1

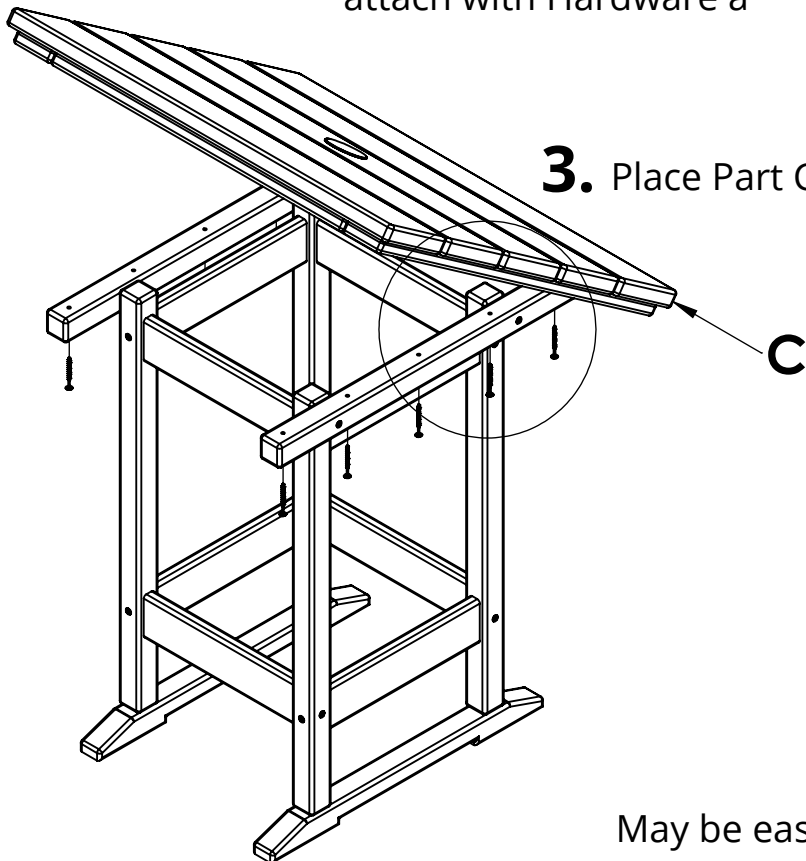
Suggested Tools: Drill, Plastic Mallet

Please read entire instructions before beginning

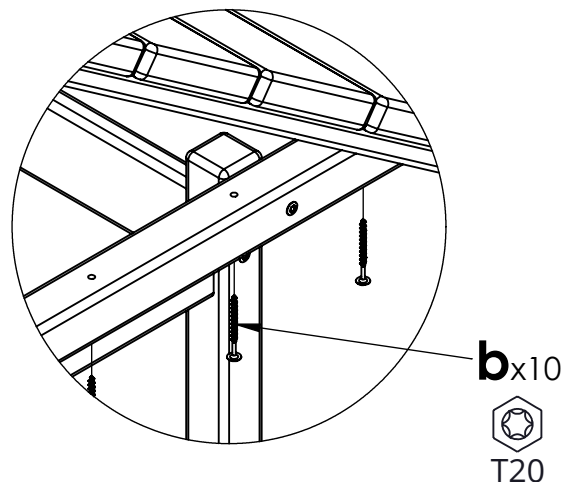
1. Attach Part B to Part A using Hardware a



2. Place second Part A on assembled piece from Step 1, attach with Hardware a



3. Place Part C onto Part A, attach using Hardware b



May be easier if assembled upside down