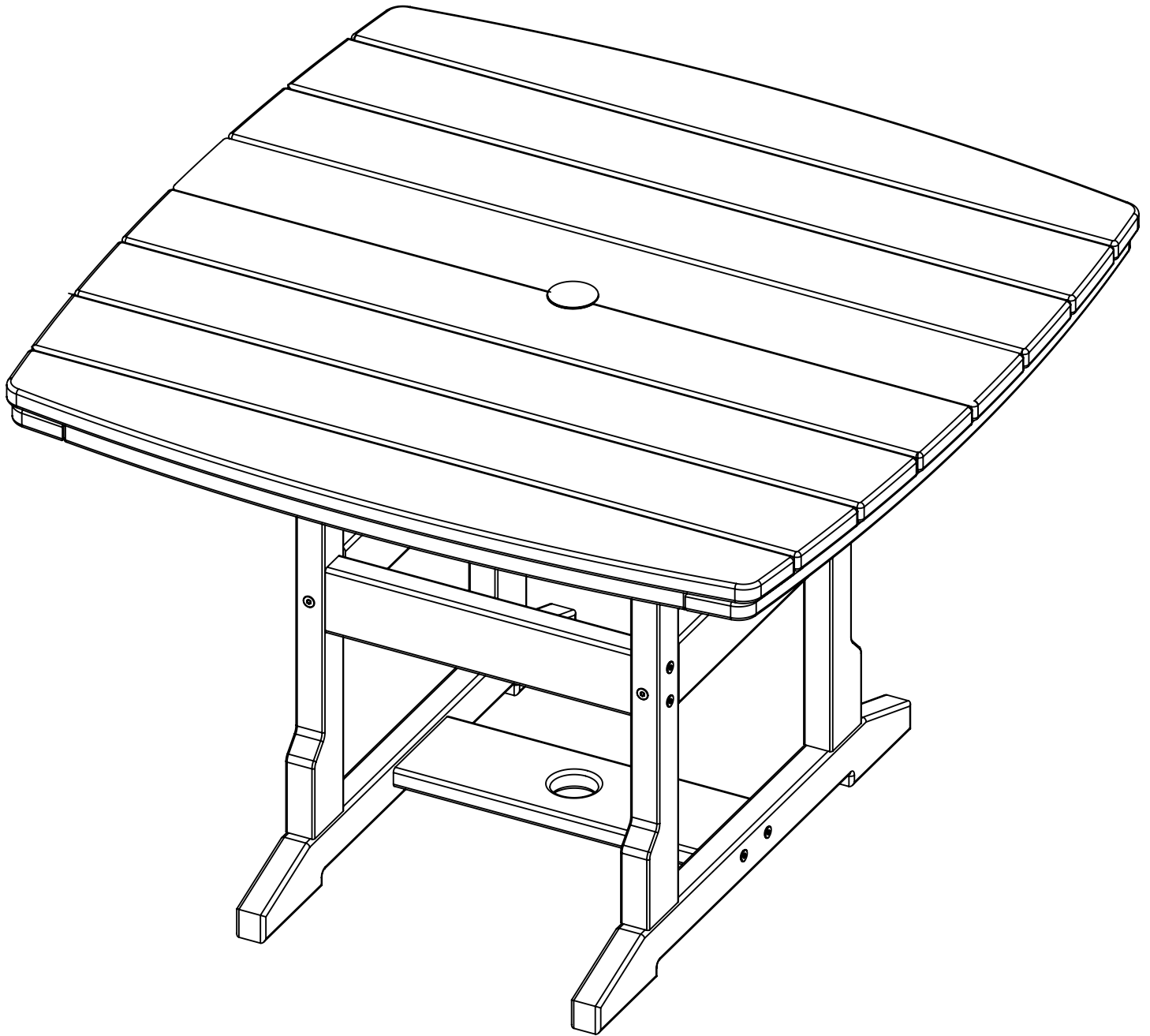
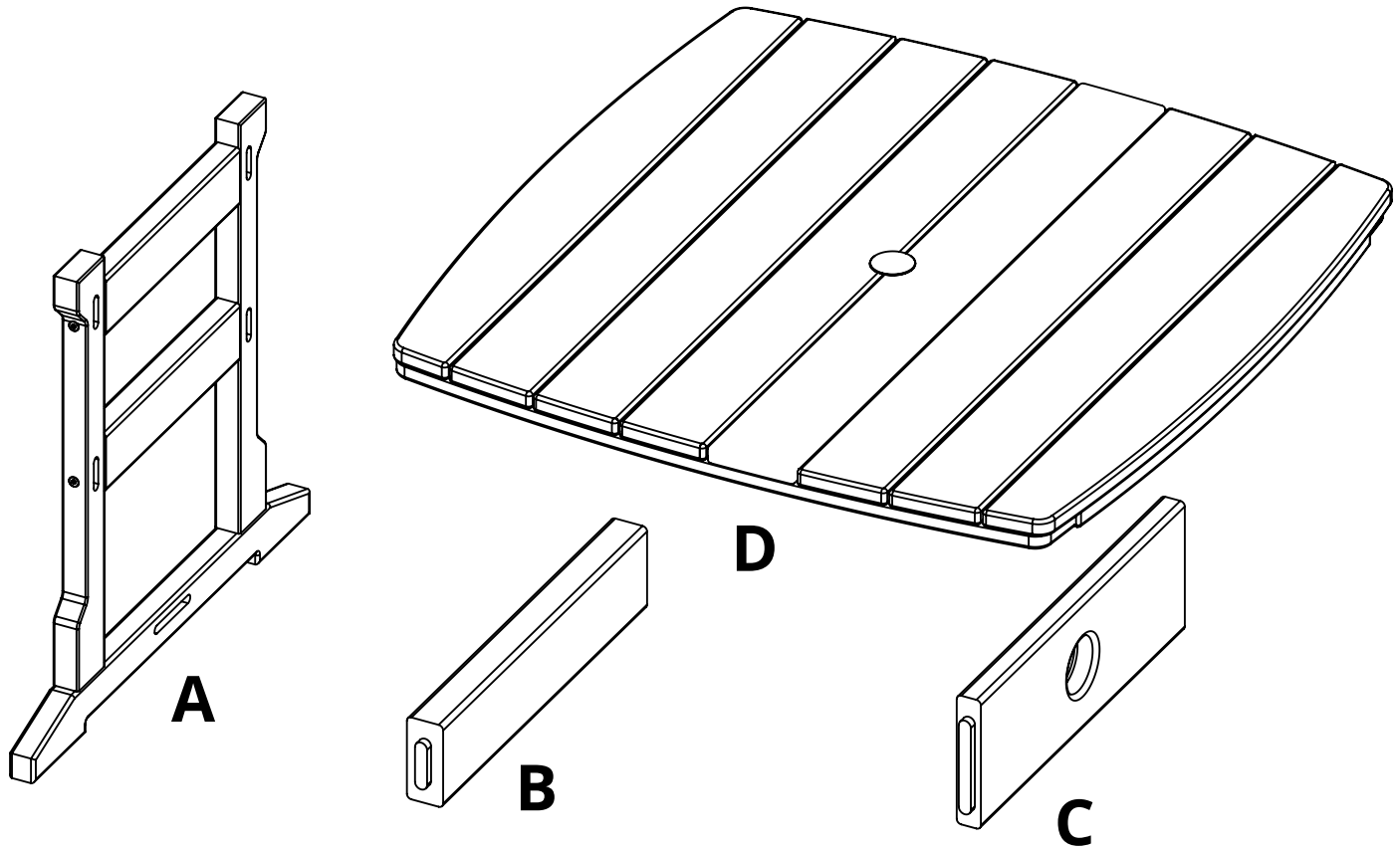


breezesta™

42"x 42" DINING TABLE
DH-0708

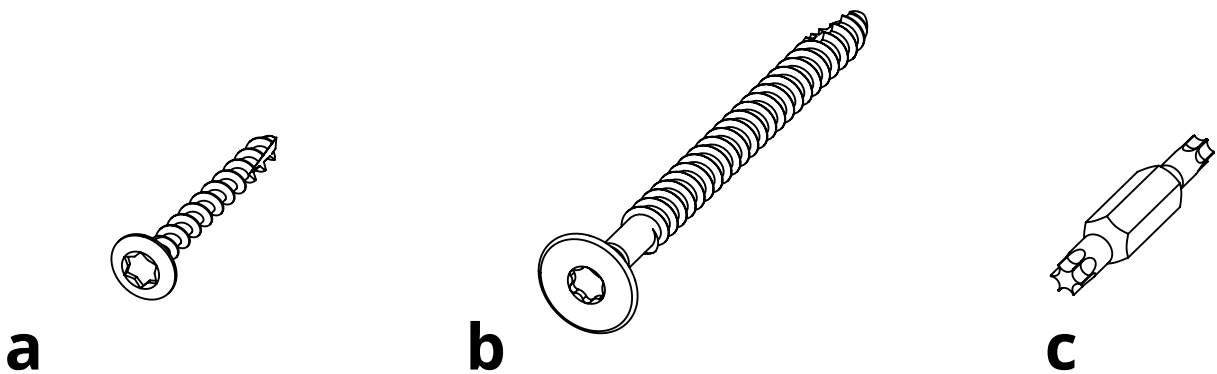


REV01-2/19



PARTS

PART	DESCRIPTION	PART NO.	QTY
A	SIDE ASSEMBLY	SA-00318	2
B	SPREADER	PRT-00634	4
C	BASE SPREADER	PRT-00635	1
D	TABLE TOP ASSEMBLY 42"x 42"	SA-00327	1



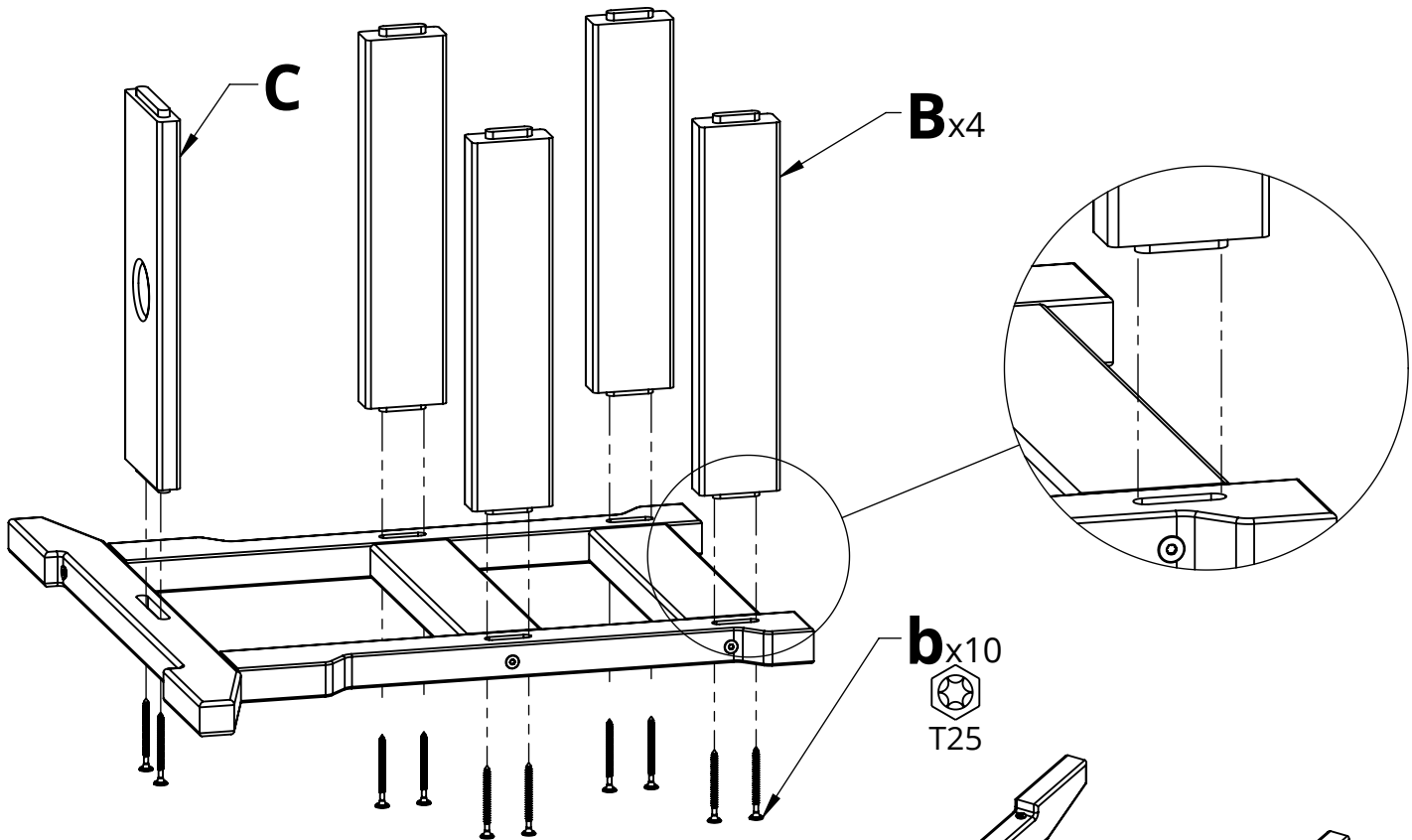
HARDWARE

PART	DESCRIPTION	PART NO.	QTY
a	#8 X 2" TORX SCREW	H-0000-S82	4
b	1/4-10 X 3" LAG	H-0000-S103	20
c	T20 & T25 TORX BIT	H-0000-CTD	1

Suggested Tools: Drill, Plastic Mallet

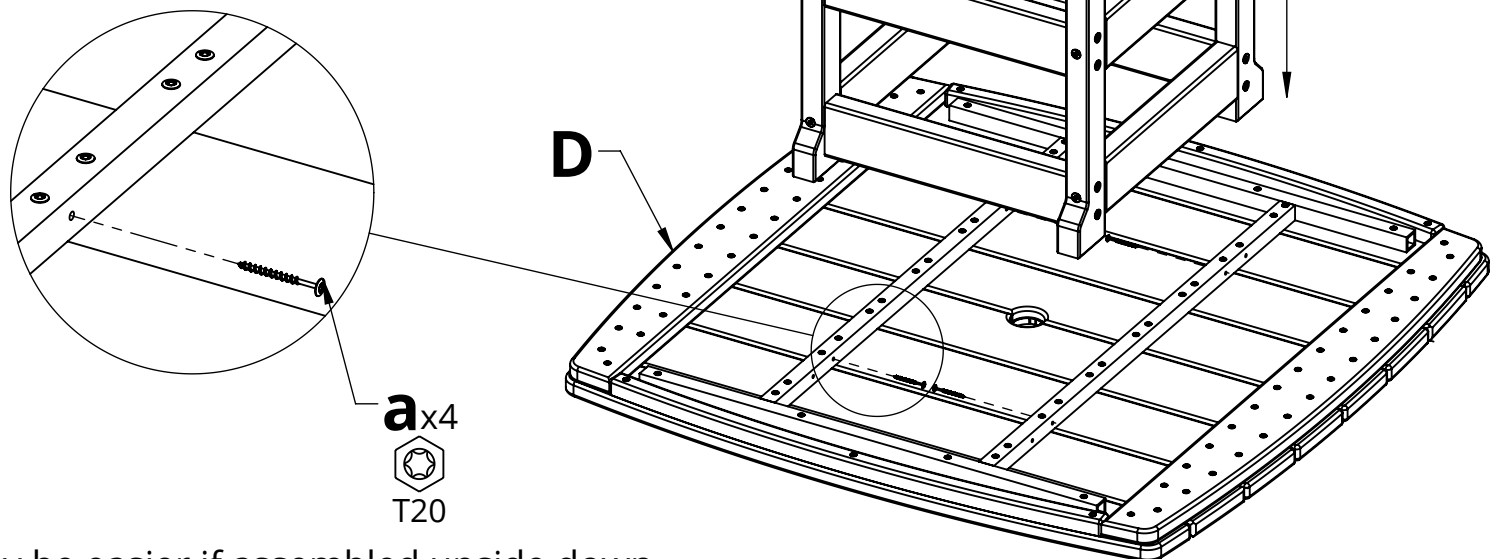
Please read entire instructions before beginning

- 1.** Attach Part B and Part C to Part A using Hardware b



- 2.** Place second Part A on assembled piece from Step 1; Repeat Step 1

- 3.** Attach Part A onto Part D using Hardware a



May be easier if assembled upside down